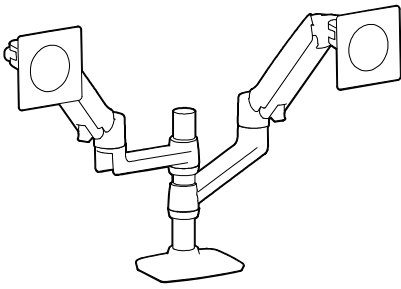
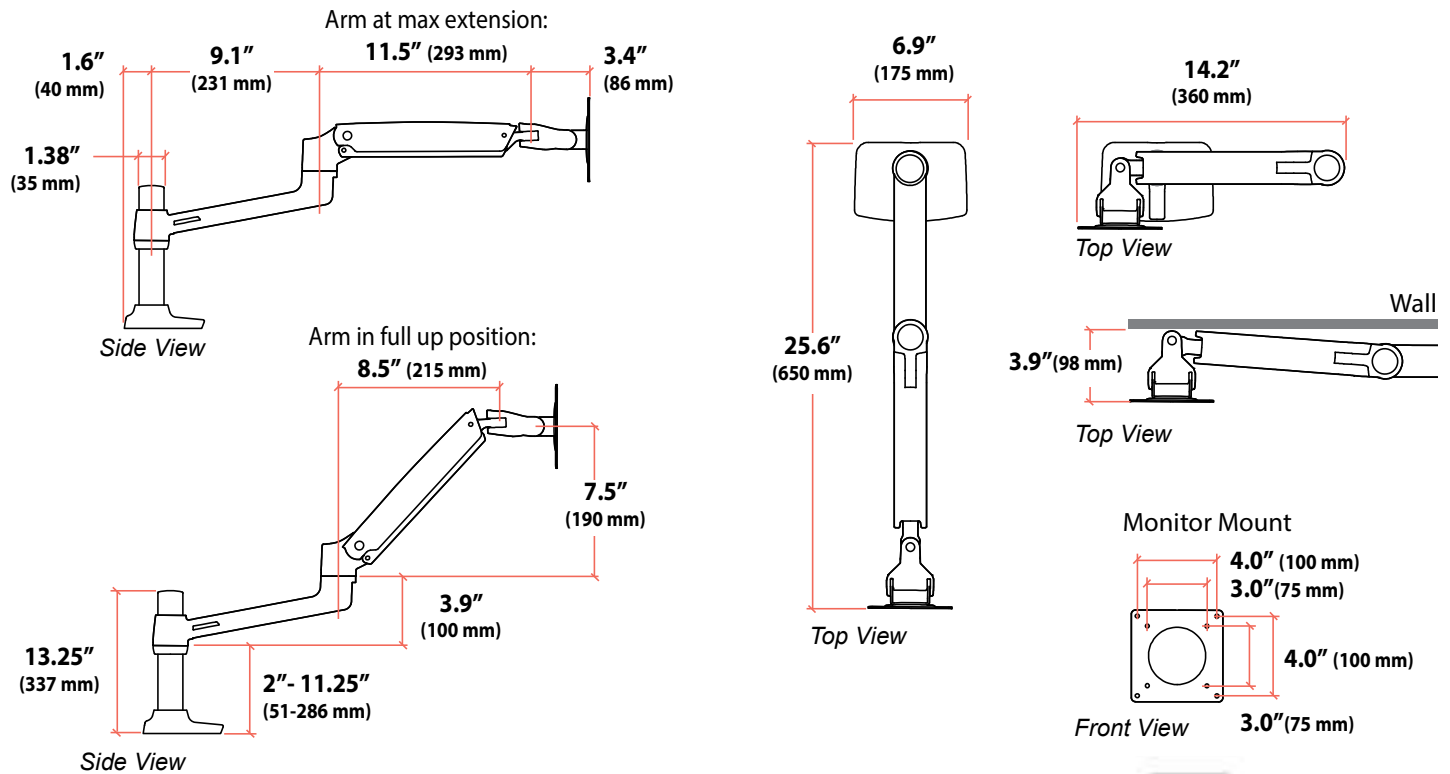


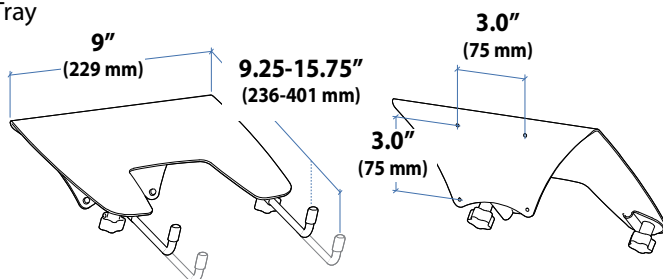
## LX Dual Stacking Arm



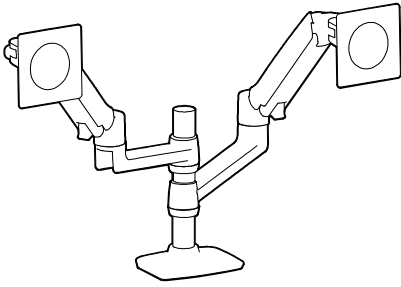
### Dimensions



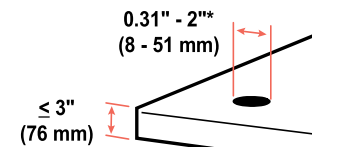
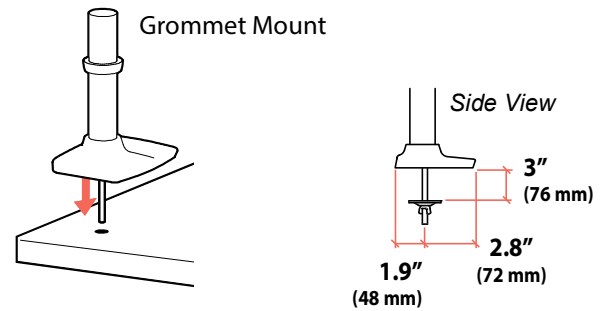
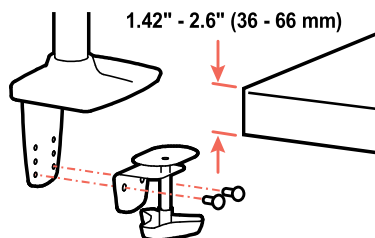
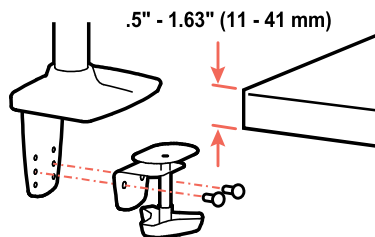
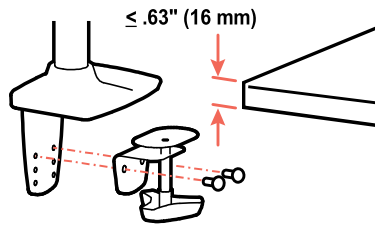
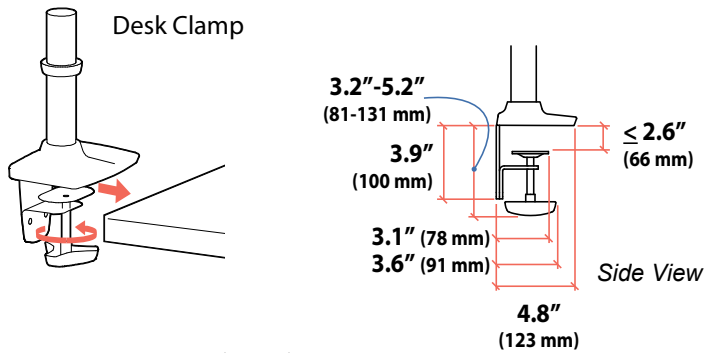
### Laptop Tray



## LX Dual Stacking Arm

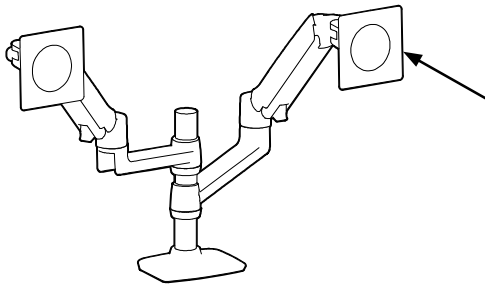


### Dimensions

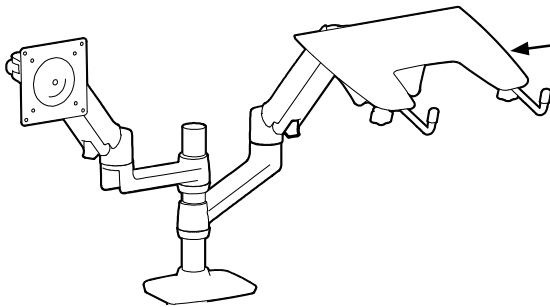


\*Bolt must be centered in hole.

## LX Dual Stacking Arm



**Weight Capacity per Monitor**  
 7 - 20 lbs (3.2 - 9.1 kg)  
 Monitor depth greater than 2.5" (64 mm) may diminish capacity.  
 Call Ergotron for more information.



**Weight Capacity for Laptop Tray**  
 2.5 - 12 lbs (1.1 - 5.4 kg)

### Range of Motion

