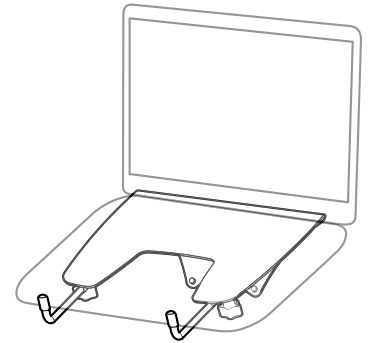
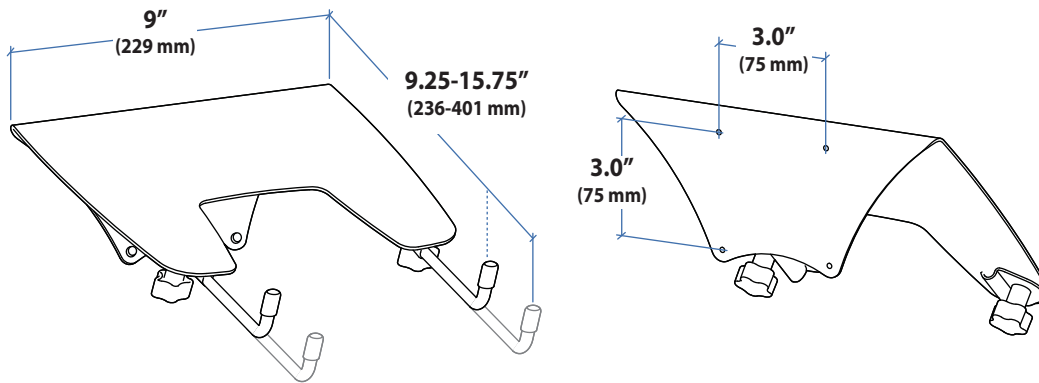
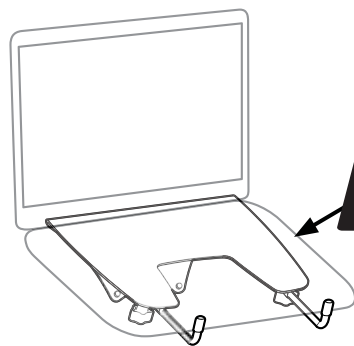


Notebook Tray

Dimensions



Weight Capacity



Weight Capacity: When combined with the LX LCD Arm, the arm will hold notebooks weighing 2.5–12 lbs (1.1–5.4 kg); when combined with other arms or pivots, contact Ergotron regarding load limitations

© 2009 Ergotron, Inc. rev. 12/17/2018 DIM-LXNB Content is subject to change without notification.

Americas Sales and Corporate Headquarters

St. Paul, MN USA
(800) 888-8458
+1-651-681-7600
www.ergotron.com
sales@ergotron.com

EMEA Sales

Amersfoort, The Netherlands
+31 33 45 45 600
www.ergotron.com
info.eu@ergotron.com

APAC Sales

Tokyo, Japan
www.ergotron.com
japansupport@ergotron.com

Worldwide OEM Sales

www.ergotron.com
info.oem@ergotron.com

ergotron®