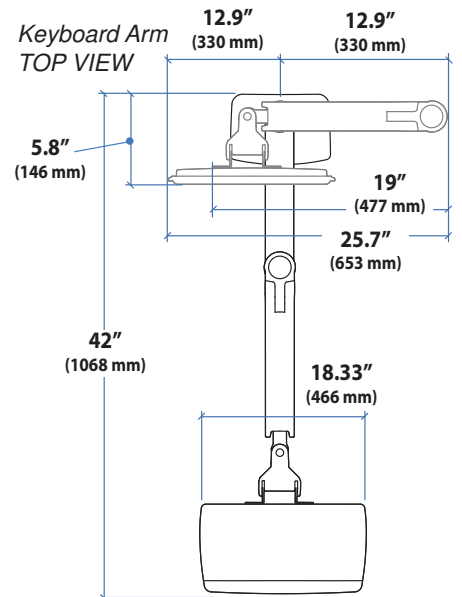
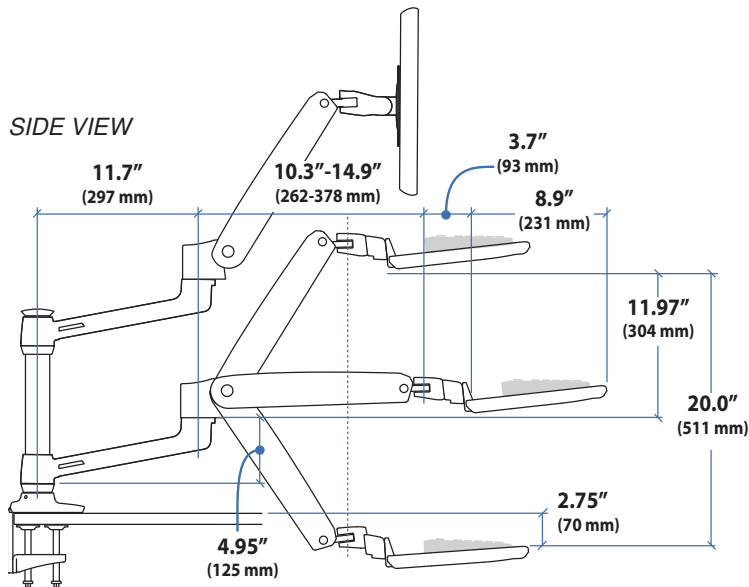
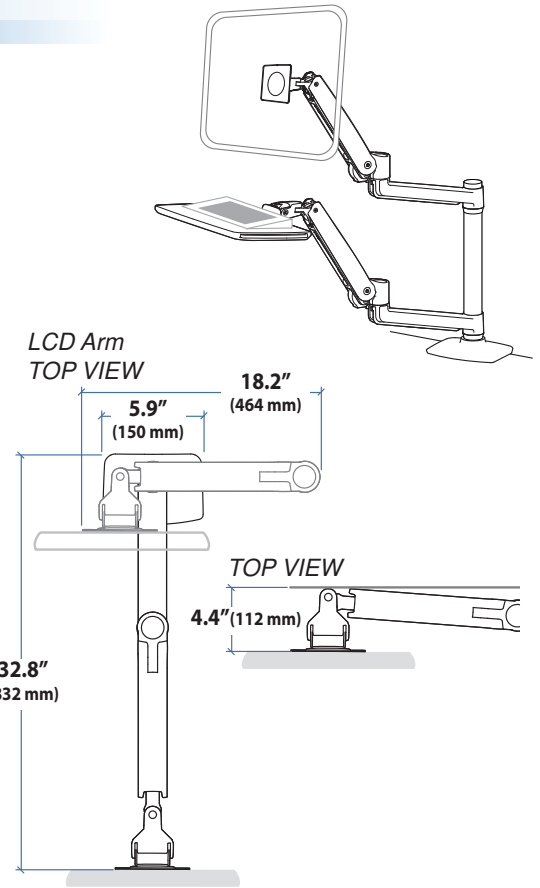
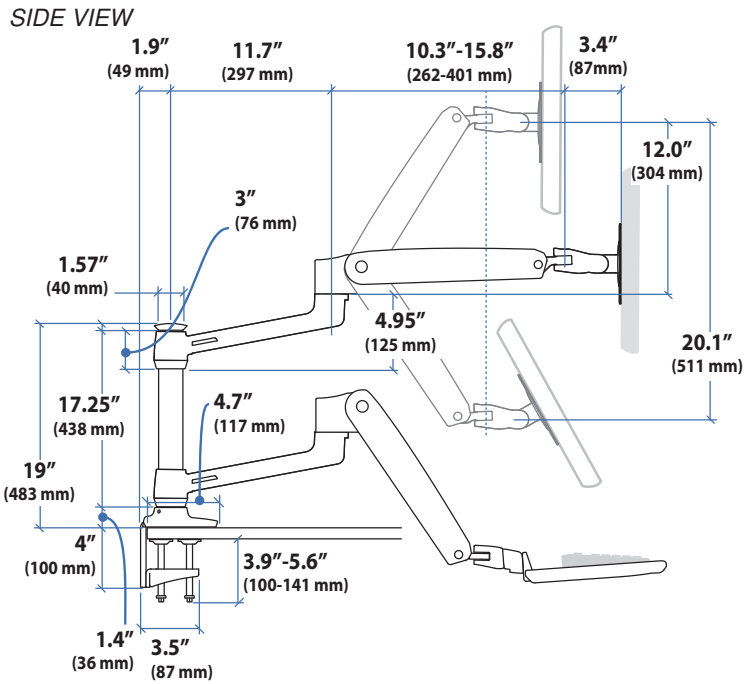


#### Dimensions



© 2014 Ergotron, Inc. rev. 04/07/2014 DIM-LXDeskCombo Content is subject to change without notification

**Americas Sales and Corporate Headquarters**

St. Paul, MN USA  
 (800) 888-8458  
 +1-651-681-7600  
 www.ergotron.com  
 sales@ergotron.com

**EMEA Sales**

Amersfoort, The Netherlands  
 +31 33 45 45 600  
 www.ergotron.com  
 info.eu@ergotron.com

**APAC Sale**

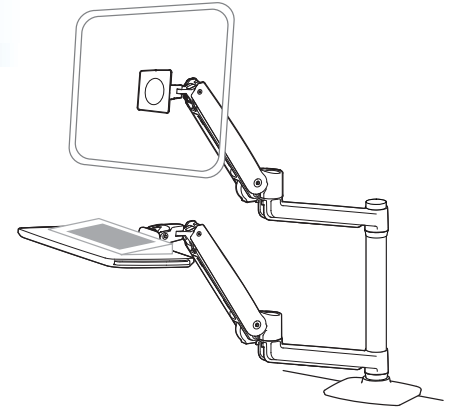
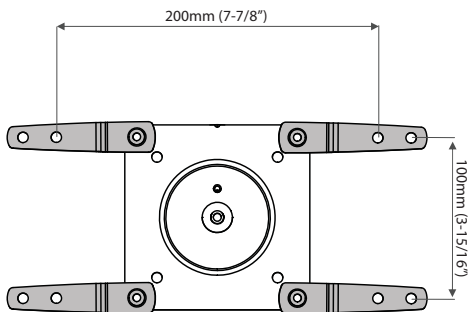
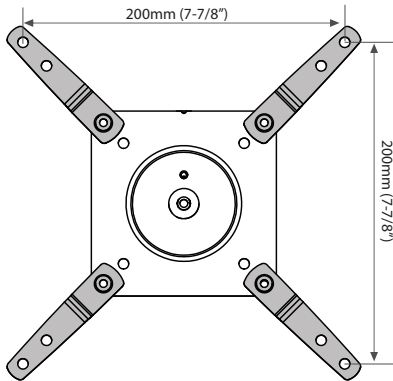
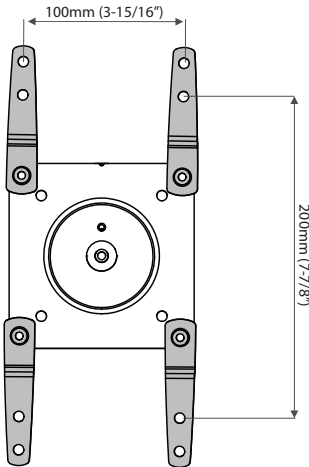
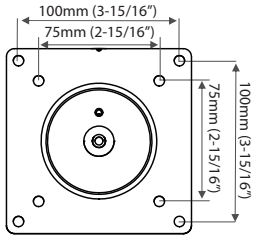
Tokyo, Japan  
 www.ergotron.com  
 apaccustomerservice@ergotron.com

**Worldwide OEM Sales**

www.ergotron.com  
 info.oem@ergotron.com

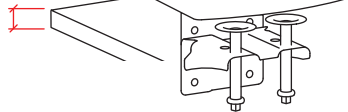


#### DISPLAY ATTACHMENT

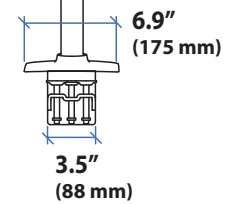


#### CLAMP

0.78"-2.56"  
(20-65mm)



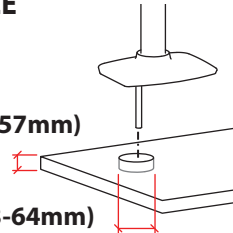
FRONT VIEW



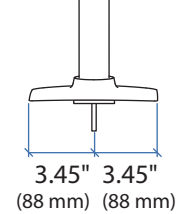
#### GROMMET HOLE

0.78"-2.25" (20-57mm)

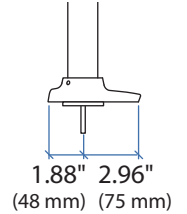
0.5"-2.5" (13-64mm)



FRONT VIEW



SIDE VIEW

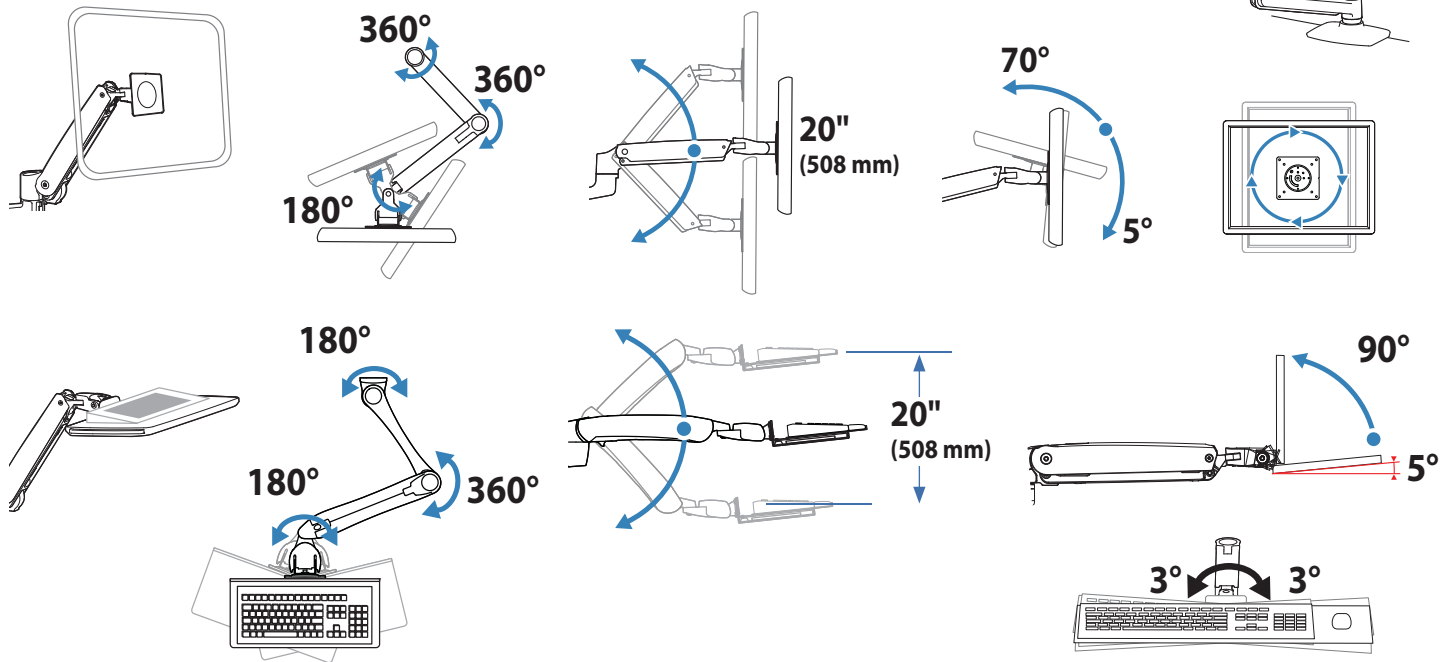


# Ergotron®

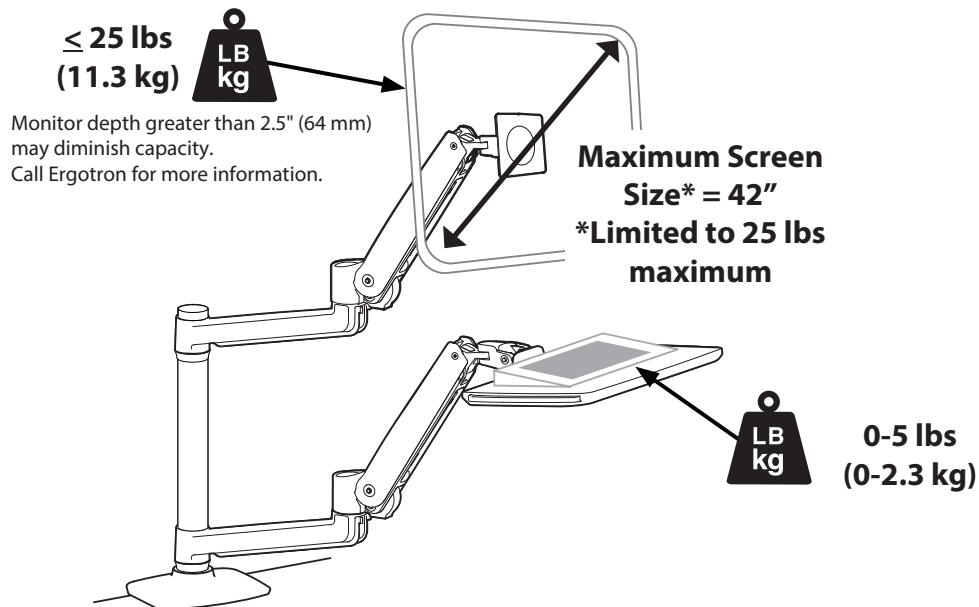
## WorkFit LX, Sit-Stand Desk System

### Dimensional & Range of Motion Illustrations

#### Range of Motion



#### Weight Capacity



© 2014 Ergotron, Inc. rev. 04/07/2014 DIM-LXDeskCombo Content is subject to change without notification

#### Americas Sales and Corporate Headquarters

St. Paul, MN USA  
 (800) 888-8458  
 +1-651-681-7600  
 www.ergotron.com  
 sales@ergotron.com

#### EMEA Sales

Amersfoort, The Netherlands  
 +31 33 45 45 600  
 www.ergotron.com  
 info.eu@ergotron.com

#### APAC Sale

Tokyo, Japan  
 www.ergotron.com  
 apaccustomerservice@ergotron.com

#### Worldwide OEM Sales

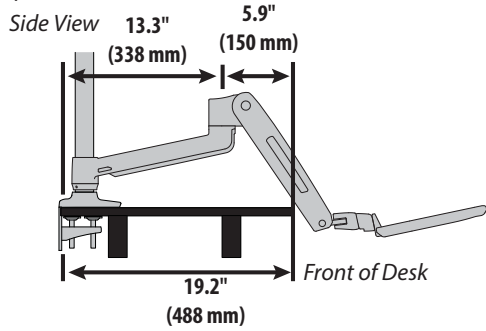
www.ergotron.com  
 info.oem@ergotron.com



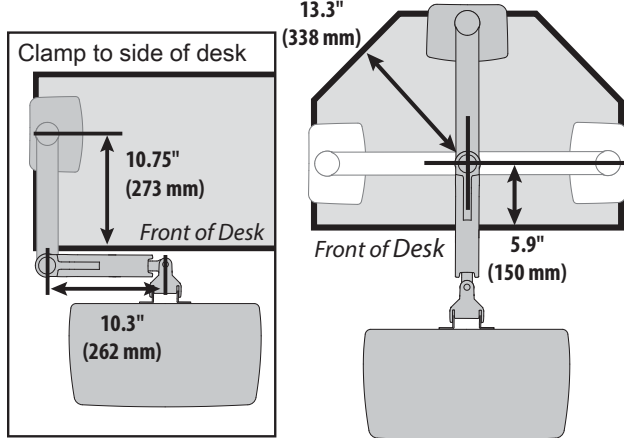
#### Desk Placement

Maximum dimensions to allow keyboard arm to lower below front of desk.

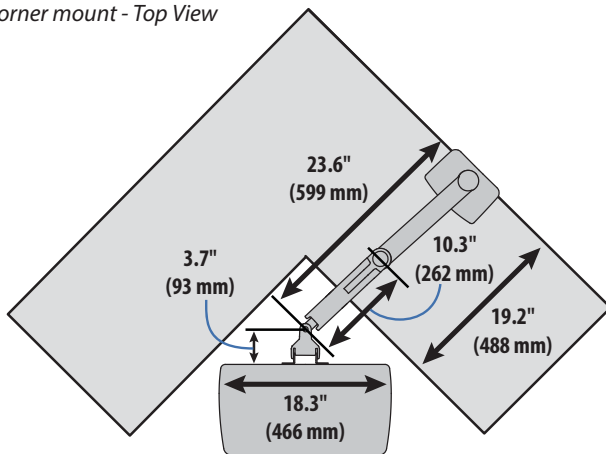
#### Clamp to rear of desk



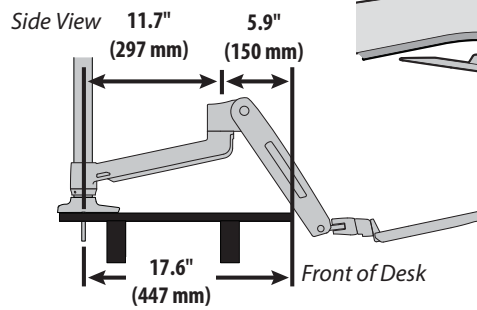
#### Top View



#### Corner mount - Top View

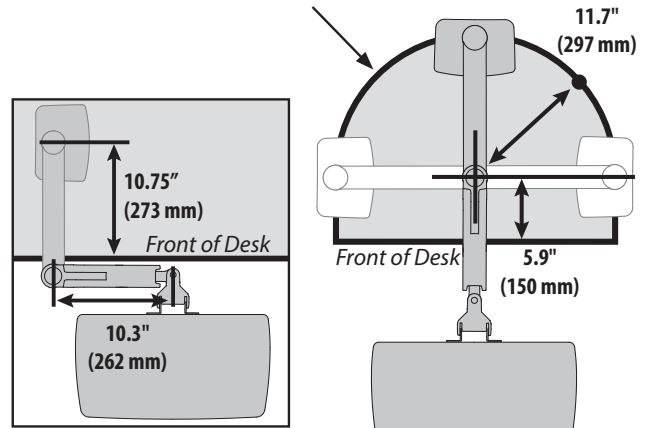


#### Grommet Hole



#### Top View

Grommet hole can be located anywhere along this arch.



#### Corner mount - Top View

