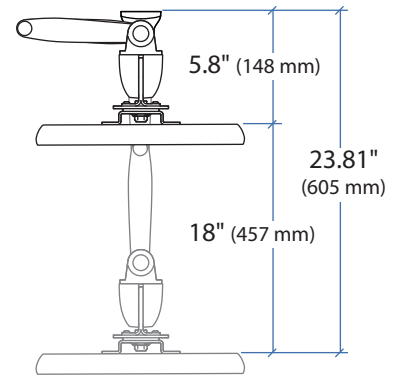
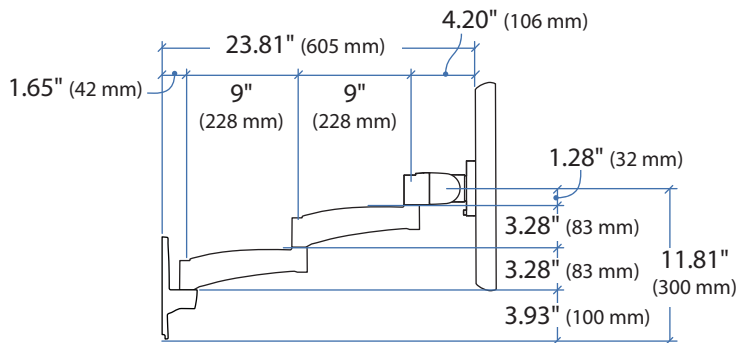
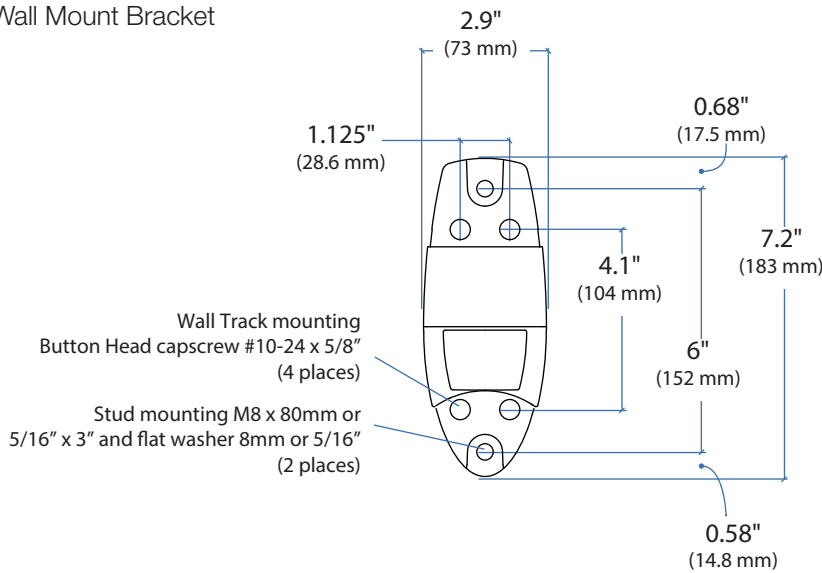


200 Series Wall Mount Arm

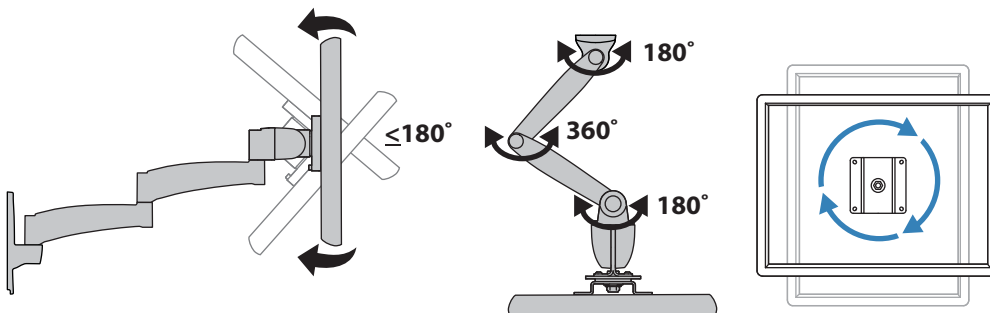


Top View

Wall Mount Bracket



Range of Motion



Maximum Weight Capacity

