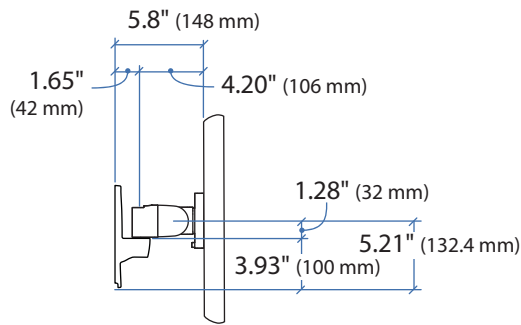
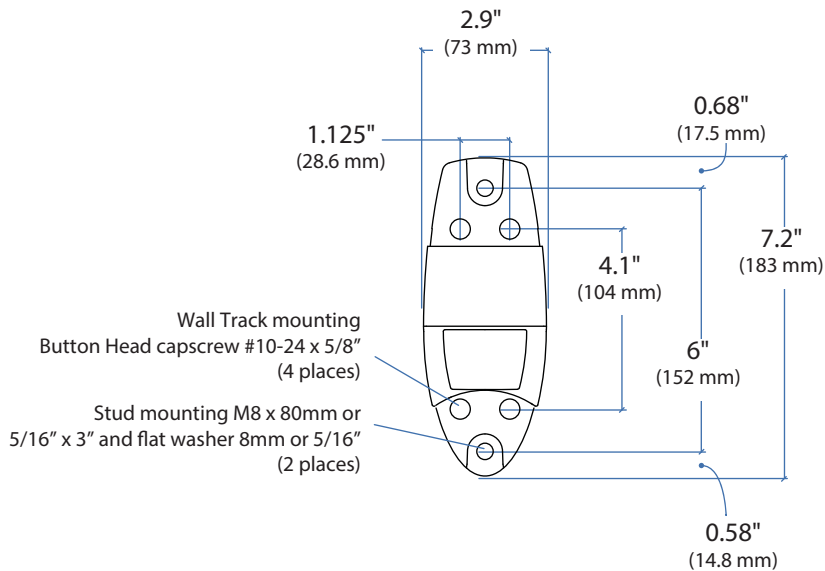


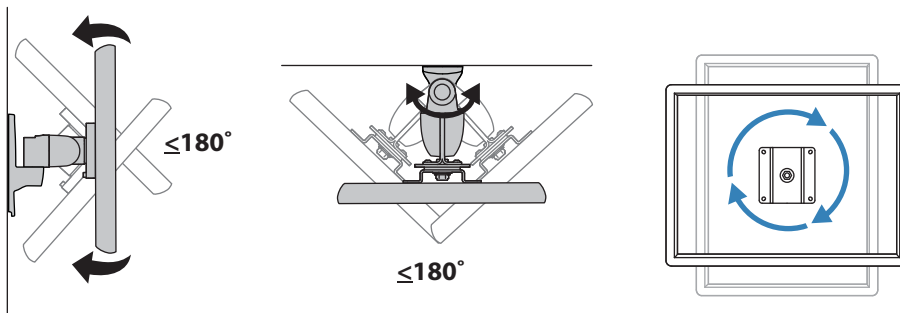
## 200 Series Wall Mount Pivot



Wall Mount Bracket



Range of Motion



Maximum Weight Capacity

