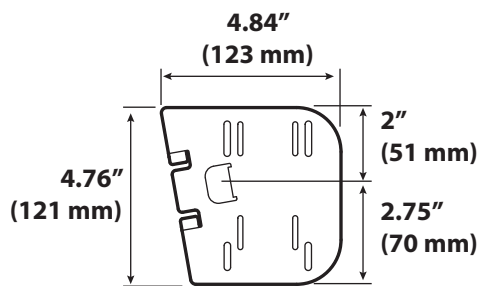
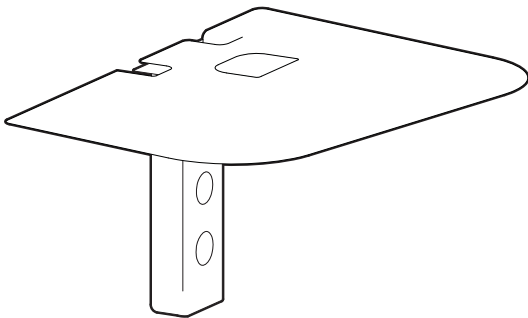
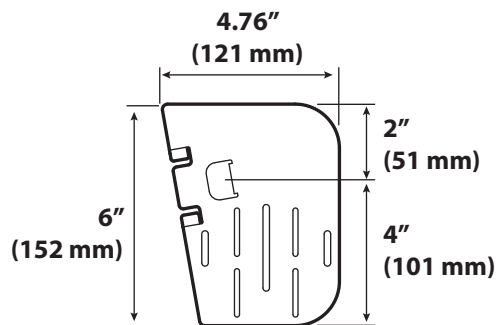


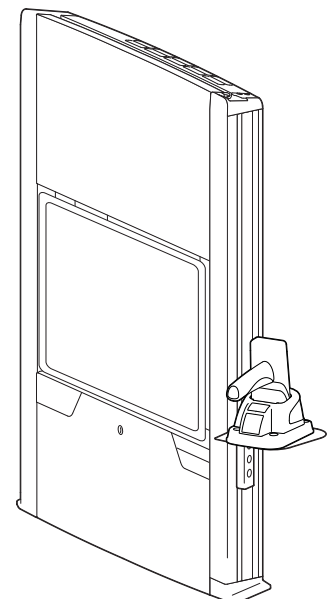
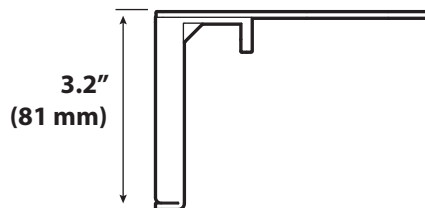
# CareFit™ Enclosure Horizontal Scanner Bracket



Supports Models:  
CODE CR2600 Handle + Palm kits  
CODE CR2700 series



Supports Models:  
Zebra DS 8178 Wireless Scanner (Presentation Style)  
Honeywell Xenon 1902H  
DataLogic Gryphon GM4400



© 2019 Ergotron, Inc. rev. 07/02/2020 DIM-CFencIsrHorzScanner Content is subject to change without notification

| Americas Sales and Corporate Headquarter  | EMEA Sales  | APAC Sales  | Worldwide OEM Sales                       |
|---|---|---|---|
| St. Paul, MN USA<br>(800) 888-8458<br>+1-651-681-7600<br>www.ergotron.com<br>insidesales@ergotron.com | Amersfoort, The Netherlands<br>+31 33 45 45 600<br>www.ergotron.com<br>info.eu@ergotron.com | Sydney, Australia<br>www.ergotron.com<br>apaccustomerservice@ergotron.com | www.ergotron.com<br>info.oem@ergotron.com |