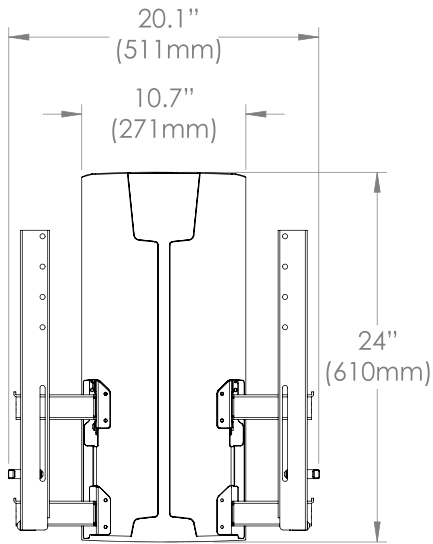
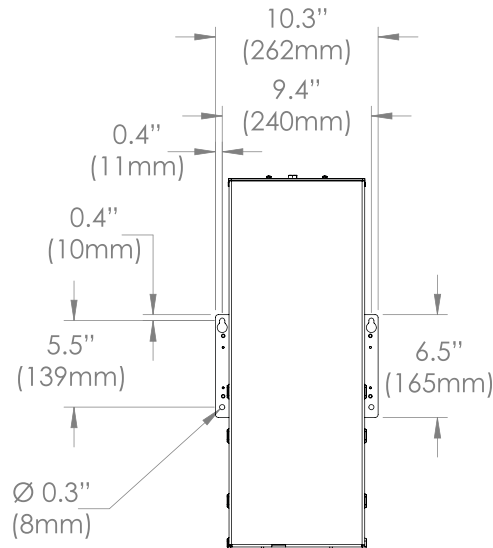


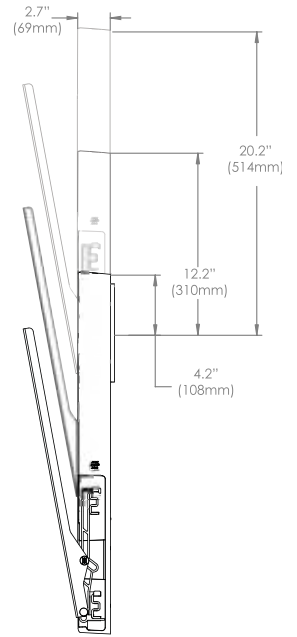
This product is intended to be mounted on a wood stud wall or a solid concrete wall. A wood stud wall is defined as consisting of a minimum of 2x4 wooden studs (2" wide by 4" deep) with a maximum of 5/8" drywall.



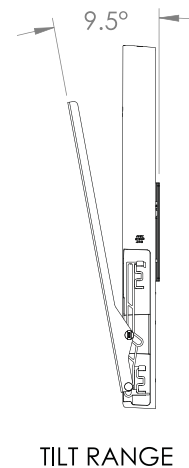
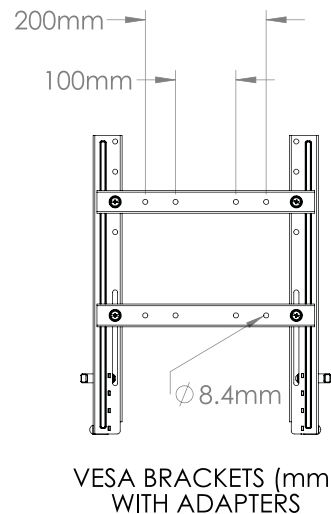
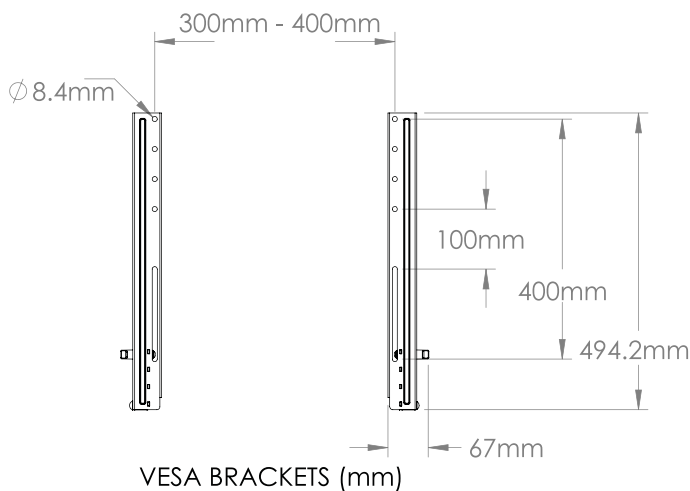
FRONT VIEW



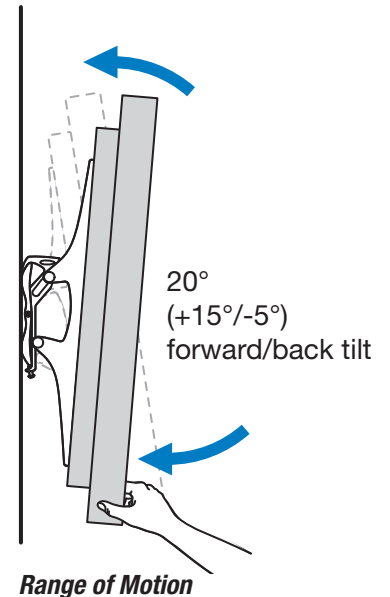
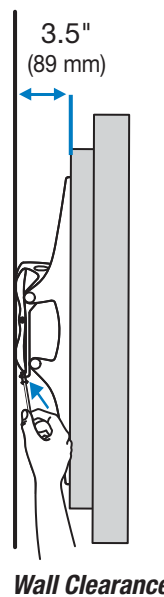
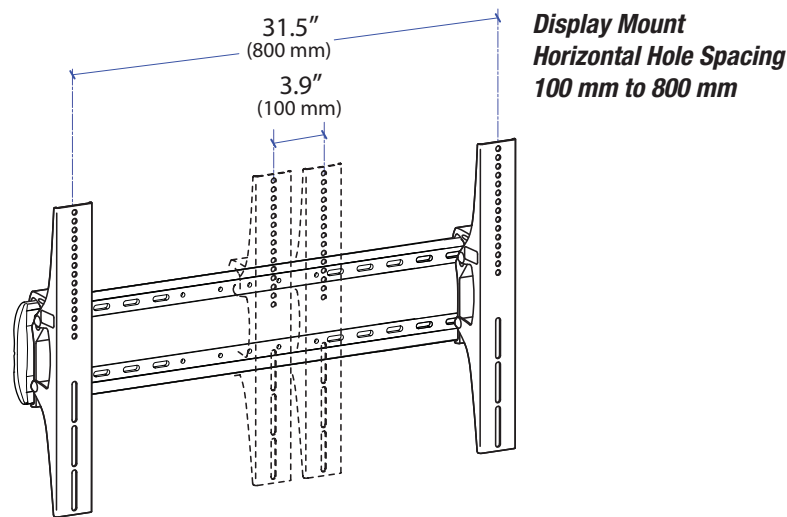
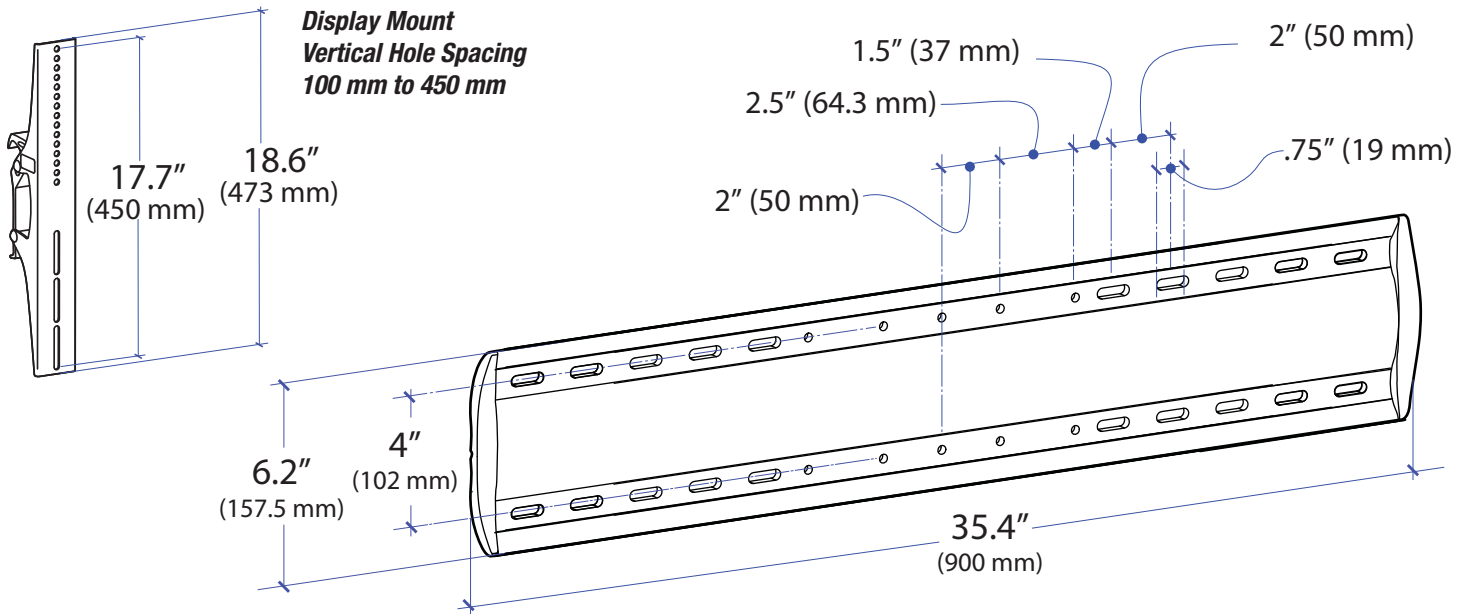
WALL MOUNTING



VERTICAL LIFT  
Centered Wall Plate



## TM Tilting Wall Mount XL



© 2013 Ergotron, Inc. rev. 10/07/2019 DIM-GlideVHD Content is subject to change without notification

Americas Sales and Corporate Headquarter	EMEA Sales	APAC Sales	Worldwide OEM Sales
St. Paul, MN USA (800) 888-8458 +1-651-681-7600 www.ergotron.com sales@ergotron.com	Amersfoort, The Netherlands +31 33 45 45 600 www.ergotron.com info.eu@ergotron.com	Tokyo, Japan www.ergotron.com apaccustomerservice@ergotron.com	www.ergotron.com info.oem@ergotron.com