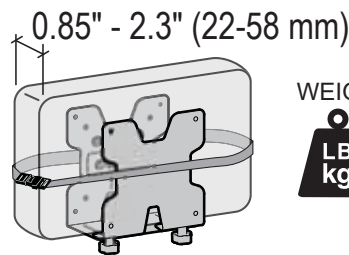
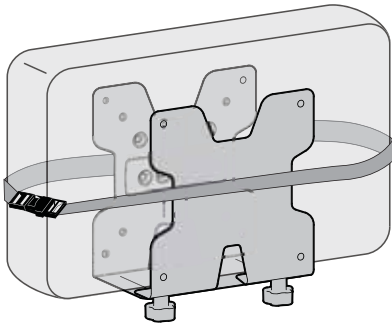


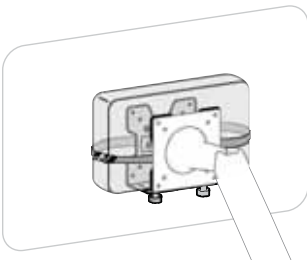
Mini PC Mount



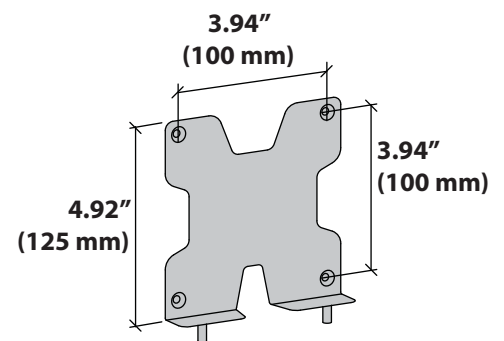
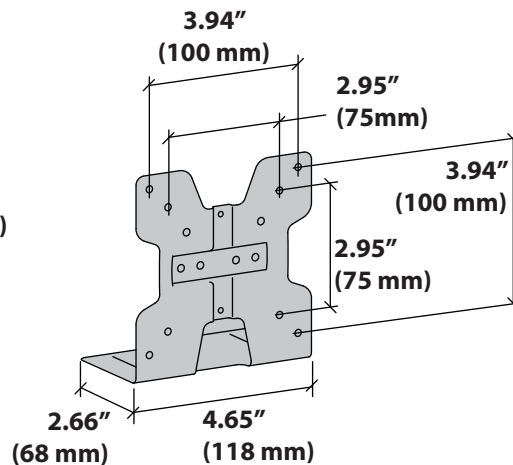
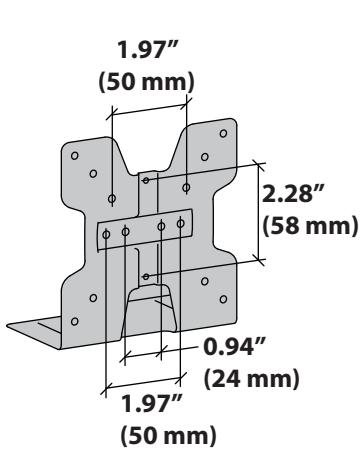
WEIGHT CAPACITY:



≤ 6 lbs. (2.7 kg)



This product adds an additional 2 lbs. (1 kg) to your mounting solution. When mounting between a monitor and VESA plate, the mounting solution's monitor weight capacity must be reduced by 2 lbs. (1 kg) when using standard monitors and mini PCs which when combined are less than or equal to 2.5" (64 mm) thick. Additional reduction will be required if the combined monitors and mini PCs are greater than 2.5" (64 mm) thick.



Americas Sales and Corporate Headquarter

St. Paul, MN USA
 (800) 888-8458
 +1-651-681-7600
www.ergotron.com
sales@ergotron.com

EMEA Sales

Amersfoort, The Netherlands
 +31 33 45 45 600
www.ergotron.com
info.eu@ergotron.com

APAC Sales

Tokyo, Japan
www.ergotron.com
apaccustomerservice@ergotron.com

Worldwide OEM Sales

www.ergotron.com
info.oem@ergotron.com