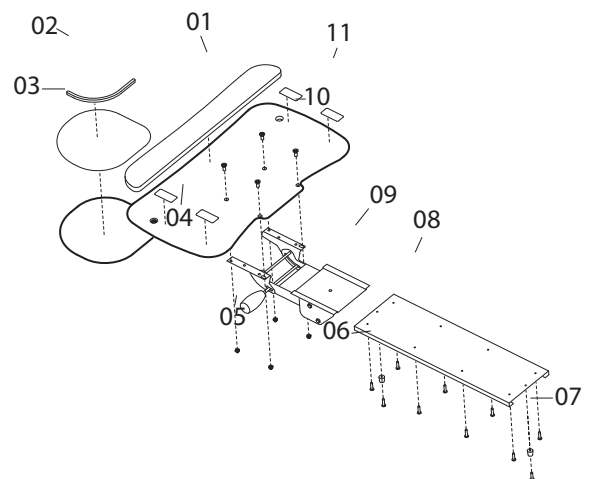


ergotron®

Universal Keyboard & Mouse Caddy Compact Keyboard & Mouse Caddy

Before beginning, please take a moment to review the parts list to be sure your shipment is complete. Also, review the instructions of all Anthro products you are planning to include in this installation.

An electric drill and $\frac{1}{8}$ " drill bit may be required for this assembly although some Anthro products are predrilled to accept these caddies. A $\frac{5}{32}$ " Hex Driver, (provided with your cart) plus a Philips screwdriver & an adjustable wrench (not included) are required for this assembly.



Component list for part # UKMCBK, 169BK

01 – Wrist Rest	Qty. 1.....	575-5001-01
02 – Mouse Rail	Qty. 1.....	575-5001-02
03 – Mouse Pad.....	Qty. 1.....	575-5001-03
04 – Caddy Platform.....	Qty. 1.....	575-5001-04
05 – Acorn Nuts	Qty. 4.....	325-5023-00
06 – Wood Screws		
3/4" (for UKMCBK).....	Qty. 10.....	325-5106-00
1/2" (for 169BK).....	Qty. 8.....	325-5008-00

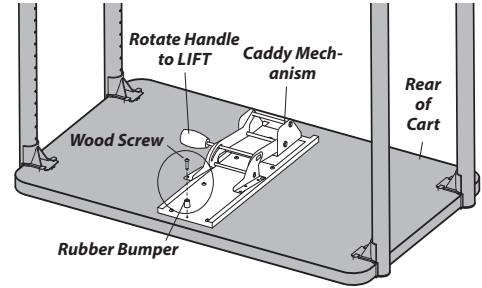
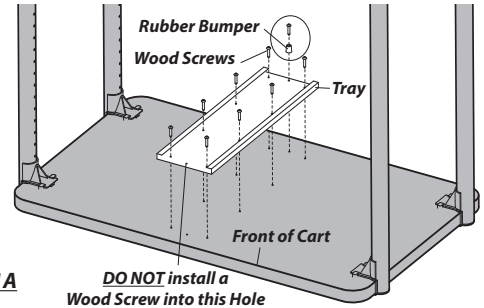
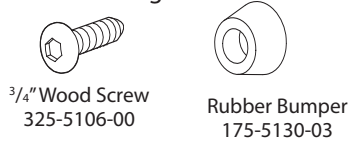
07 – Rubber Bumpers	Qty. 2.....	175-5130-03
08 – Caddy Tray		
For UKMCBK.....	Qty. 1.....	225-5046-00
For 169BK.....	Qty. 1.....	575-5001-12
09 – Caddy Mechanism		
For UKMCBK.....	Qty. 1.....	575-5001-09
For 169BK.....	Qty. 1.....	575-5001-13
10 – Caddy Screws	Qty. 4.....	575-5001-10
11 – Keyboard Pads	Qty. 4.....	575-5001-11

Step 1

Carefully rotate your Cart upside down. For predrilled Carts: align the tray with the holes on the cart shelf. Attach the tray using wood screws (8 for the Compact; 10 for the UKMC) leaving open the holes at the center front and back. Insert one wood screw through a rubber stop and install towards the rear of the cart.

If your cart shelf is not predrilled: use the tray as a template and mark the hole locations. Carefully drill all holes using a 1/8" drill bit (1/2" deep for compact, 3/4" deep for others). **TIP:** Use a small amount of masking tape to mark the depth on your drill bit. Now install the tray as described above.

Slide the Caddy Mechanism into the Tray and push to the rear. If needed, rotate the mechanism handle to lift the mechanism to slide it back. Finally, install the remaining wood screw and rubber bumper into the tray.



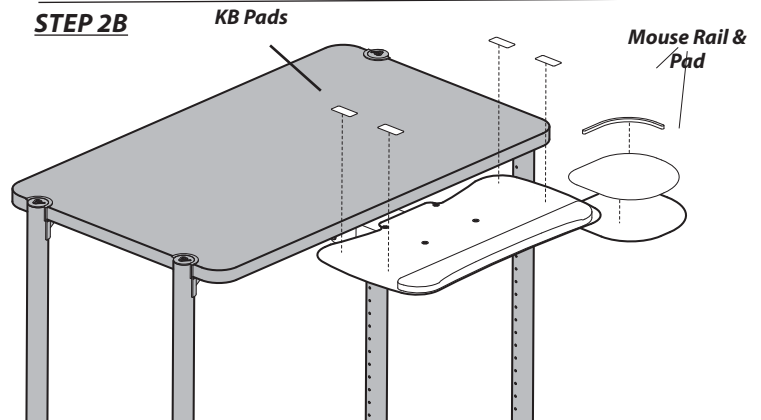
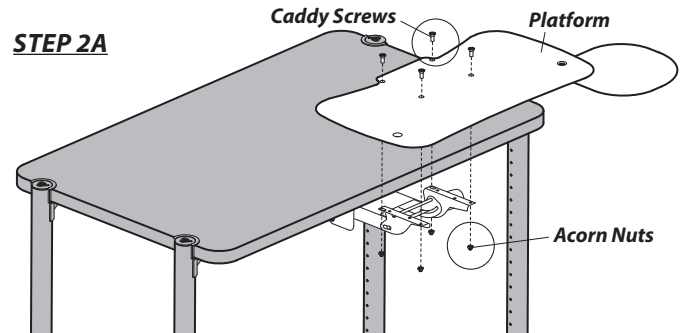
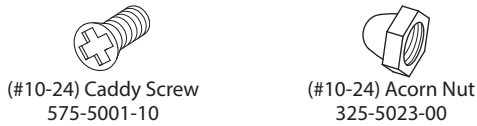
Step 2 (requires the adj wrench & screwdriver)

Carefully rotate your cart back onto its casters.

Pull the mechanism to the front and place the platform onto the mechanism. Secure the platform using the four philips screws and the acorn nuts.

Finally, install the mouse rail and pad.

Congratulations! Your assembly is complete.

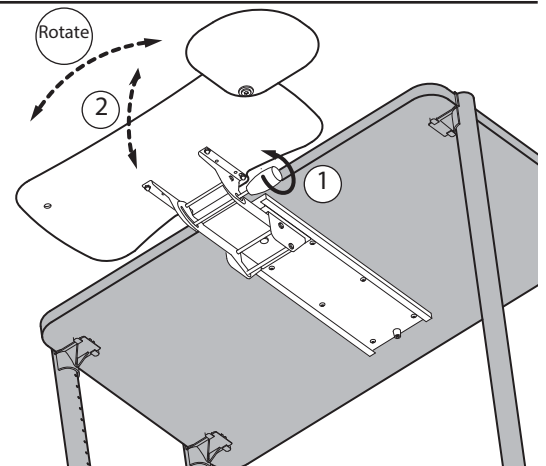


Congratulations! Your assembly is complete.

Adjusting your Keyboard & Mouse Caddy

Adjust the Platform height & angle: 1. Rotate the Handle counterclockwise. 2. Reposition the Shelf, then retighten the Handle.

Adjust the Platform rotation: 1. Firmly grasp the Platform, then rotate to the desired angle.





For the latest User Installation Guide please visit: www.ergotron.com

For Warranty visit: www.ergotron.com/warranty

For Service visit: www.ergotron.com

For local customer care phone numbers visit: <http://contact.ergotron.com>

www.ergotron.com | USA: 1-800-888-8458 | Europe: +31 (0)33-45 45 600 | China: 400-120-3051 | Japan: japansupport@ergotron.com

© 2018 Ergotron, Inc. All rights reserved.

While Ergotron, Inc. makes every effort to provide accurate and complete information on the installation and use of its products, it will not be held liable for any editorial errors or omissions (including those made in the process of translation from English to another language), or for incidental, special or consequential damages of any nature resulting from furnishing this instruction and performance of equipment in connection with this instruction. Ergotron, Inc. reserves the right to make changes in the product design and/or product documentation without notification to its users. For the most current product information, or to know if this document is available in languages other than those herein, please contact Ergotron. No part of this publication may be reproduced, stored in a retrieval system, or transmitted in any form or by any means, electronic, mechanical, photocopying, recording or otherwise without the prior written consent of Ergotron, Inc., 1181 Trapp Road, Eagan, Minnesota, 55121, USA. Patents Pending and Patented U.S. & Foreign. Ergotron is a registered trademark of Ergotron, Inc.