

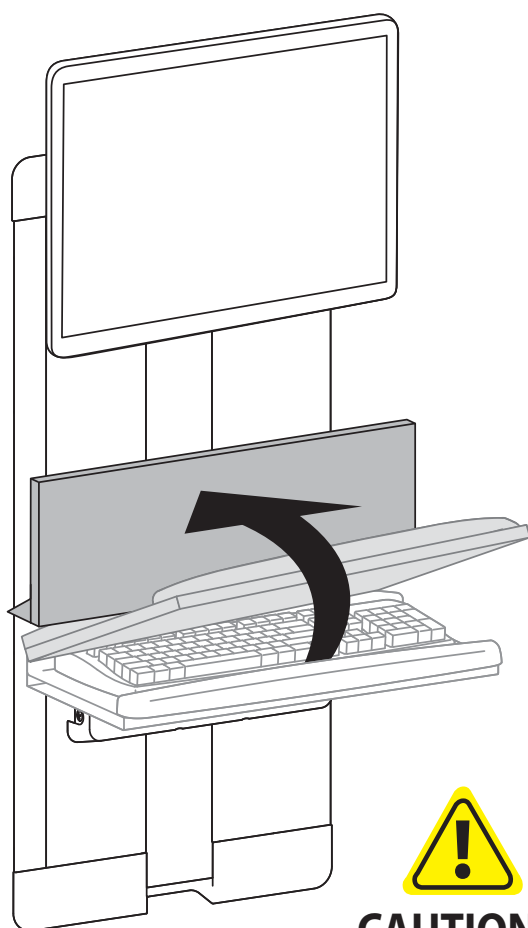
# ergotron®

---

## Auto Retractable Keyboard Assembly for use with Ergotron products:

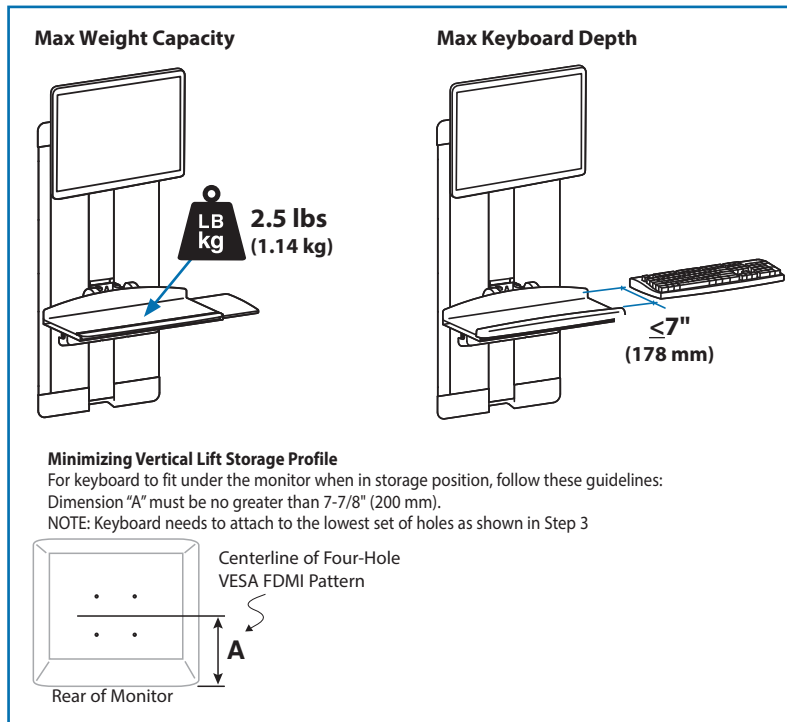
25-022

60-593

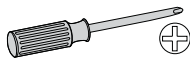


**CAUTION:**

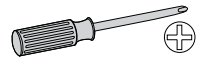
**Product is shipped with a stop screw that MUST be removed before use.  
DO NOT REMOVE STOP SCREW BEFORE ATTACHING KEYBOARD TRAY.  
Failure to follow these instructions will cause equipment damage.**

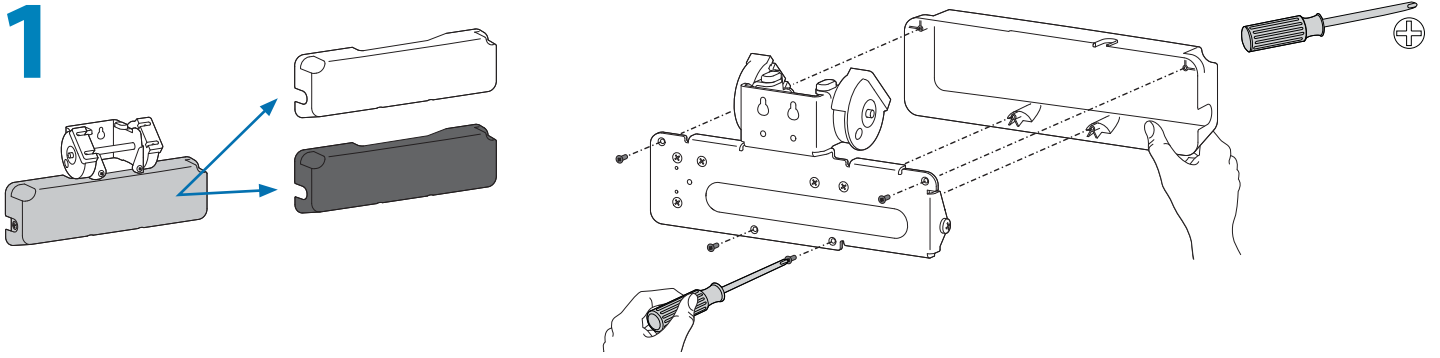


	A	B	C	D	E
1	1x 1x	1x 1x		4x M4 x 12mm	1x 3/32"
2	1x 1x	2x 1x	3x Sterile Alcohol Prep	2x 8-32 x 1/4"	2x

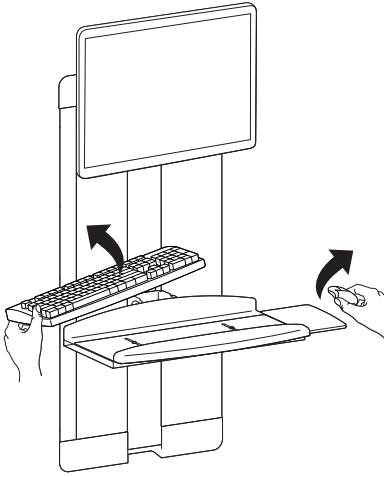


Depending on the design of your VL, you may need any one or combination of these 4 tools to remove your keyboard tray and pivot.



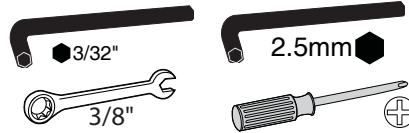


## 2 a

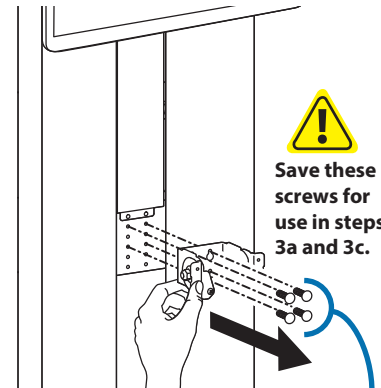


## b

Depending on the design of your VL, you may need any one or combination of these 4 tools to remove your keyboard tray and pivot.

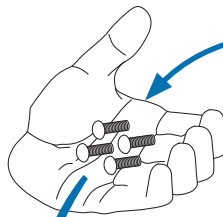
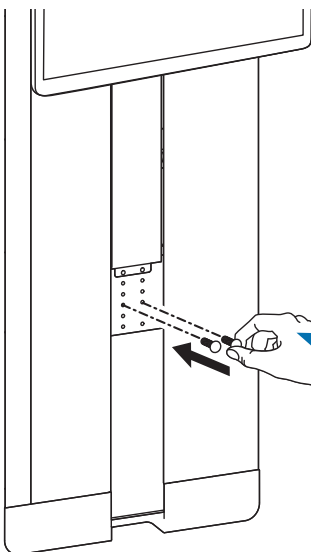


## c



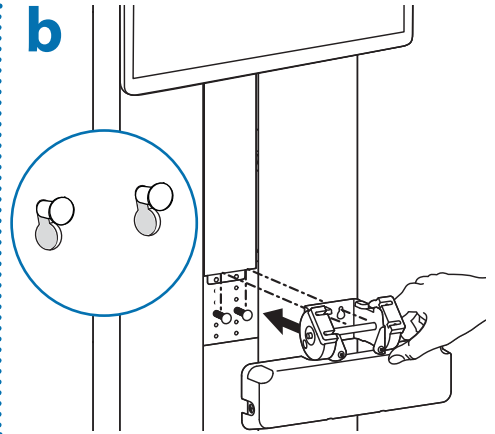
Save these screws for use in steps 3a and 3c.

## 3 a

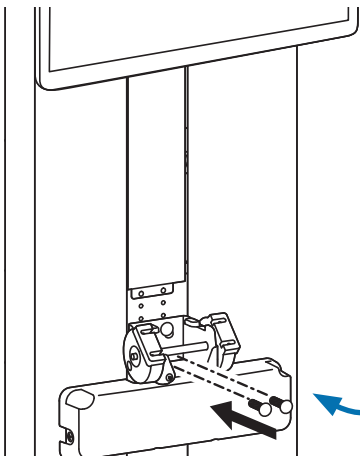


Attach pivot screws to middle set of holes (third up from the bottom set) so pivot attaches at lowest position.

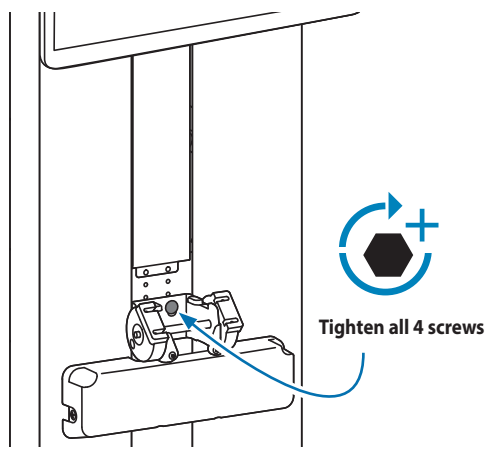
## b



## c

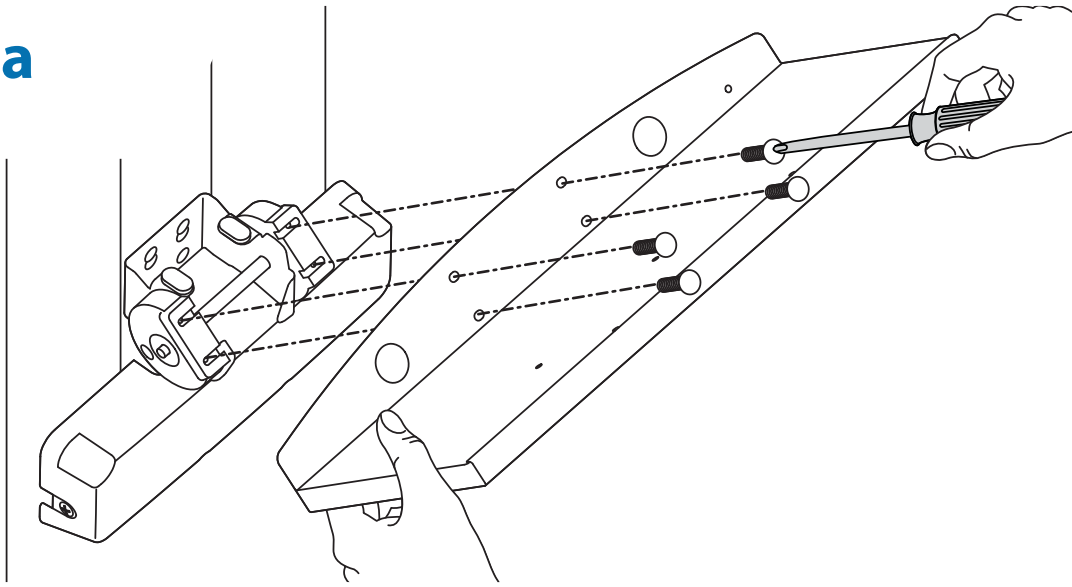


## d



Tighten all 4 screws

4 a



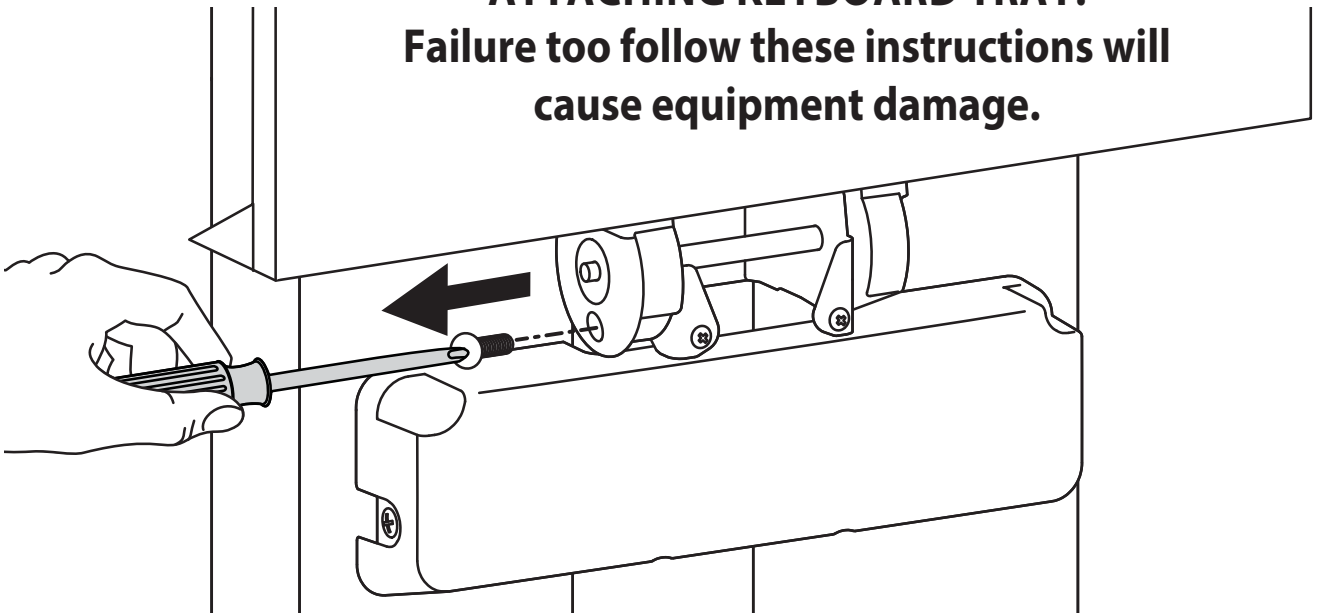
4x  
M4 x 12mm

b REMOVE STOP SCREW BEFORE USE.

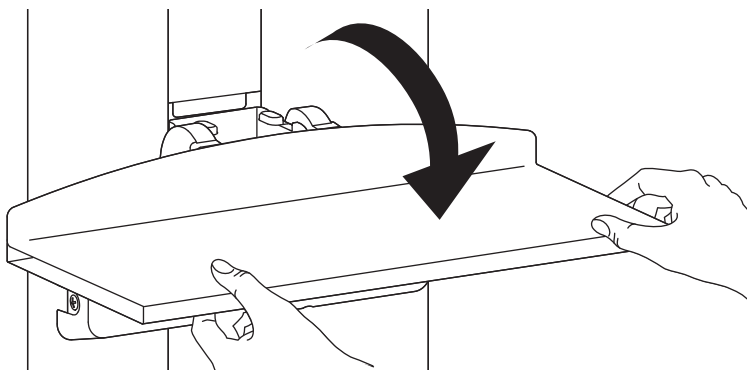


**CAUTION:**

**Product is shipped with a stop screw that MUST be removed before use. DO NOT REMOVE STOP SCREW BEFORE ATTACHING KEYBOARD TRAY. Failure to follow these instructions will cause equipment damage.**



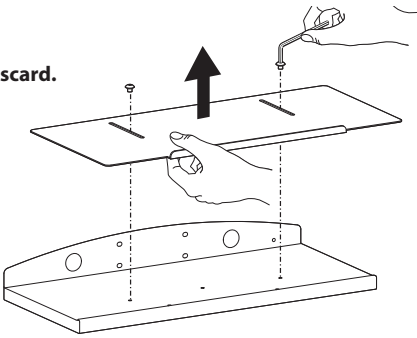
c



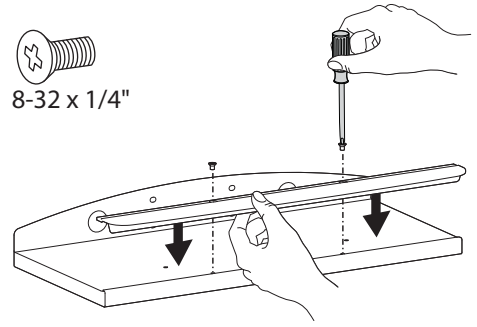
## 5 a Remove and discard.



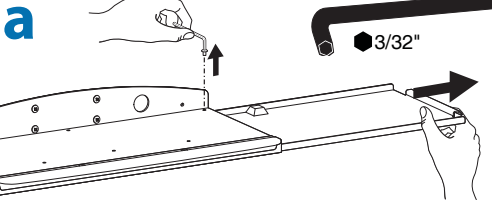
Top tray must be removed for pivot to function properly.



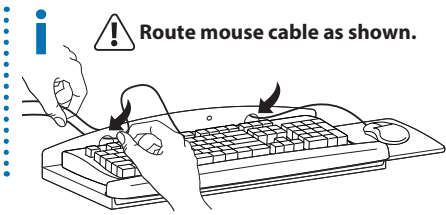
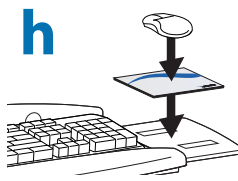
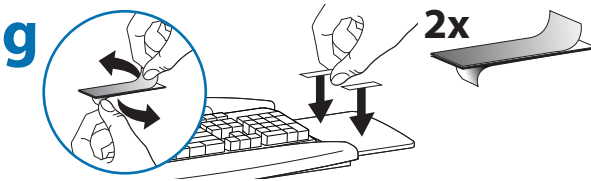
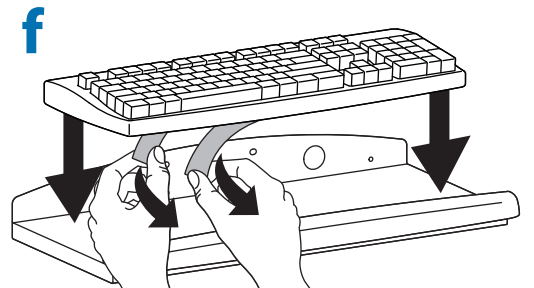
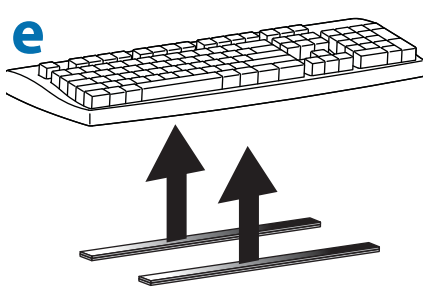
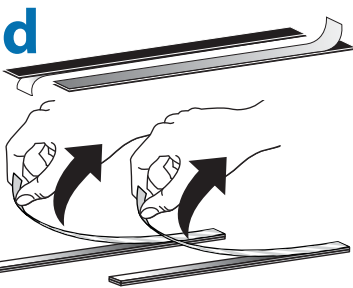
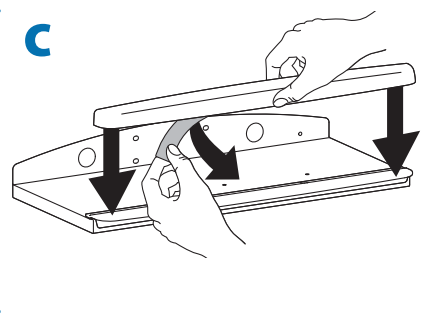
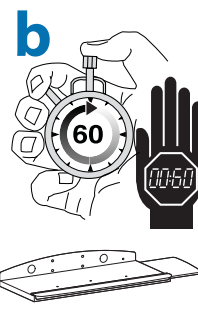
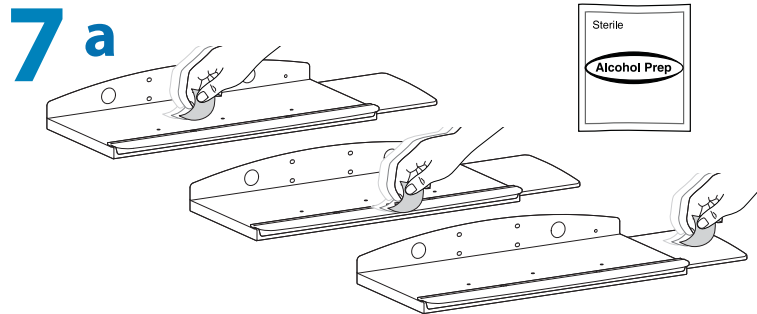
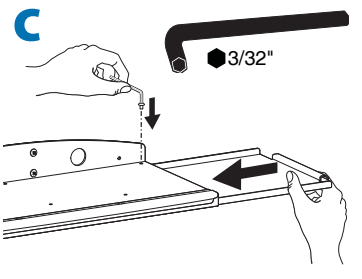
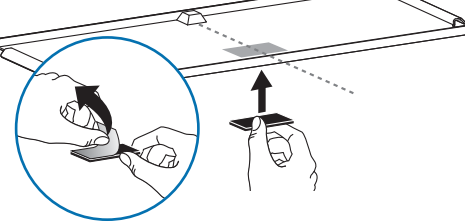
## b 2x 8-32 x 1/4"



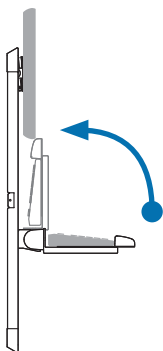
## 6 Attach the loop (soft) side of the velcro to the bottom of the mouse tray to eliminate rattle when the tray is stowed upright.



## b 1x



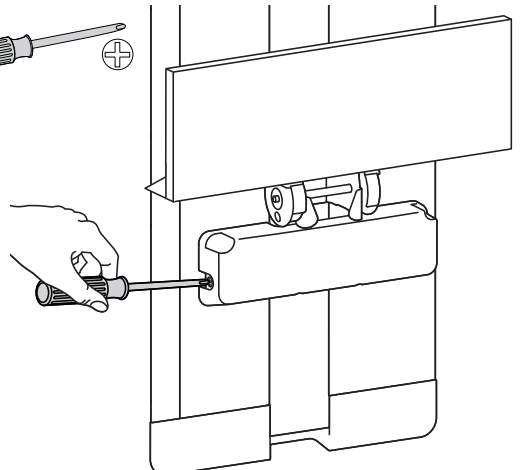
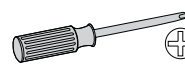
## 8 a Auto-rise Tension



Follow these instructions to tighten or loosen tension.

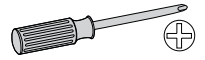
**1. Mount all Equipment (keyboard, wrist rest, mouse pad, mouse, ect.).**

**2. Tighten screw slowly (turn clockwise) until tray auto rises to full up position. Screw may require several turns**



## Remove Auto-rise

**NOTE:** If you would like to remove the auto-rise feature:

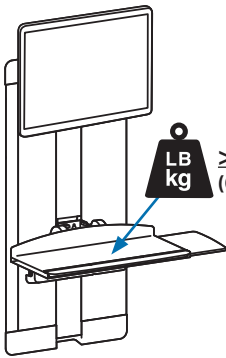


**1. Mount all Equipment**  
(keyboard, wrist rest, mouse pad, mouse, ect.).

**2. Loosen screw to decrease the tension**  
(turn counter clockwise) until the tray no longer auto-rises.

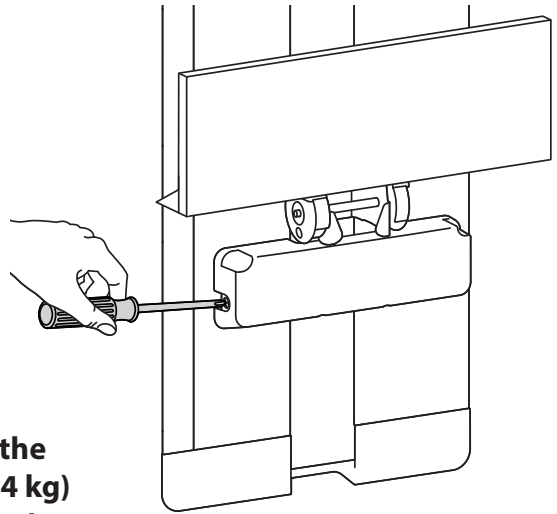


Minimum Weight Capacity

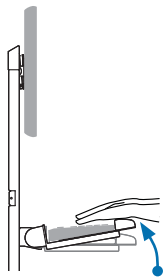
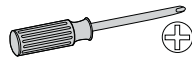


LB  
kg  $\geq 0.75$  lbs  
(0.34 kg)

The equipment mounted to the tray must equal 0.75 lbs (0.34 kg) or greater for the tray to stay down with no auto rise.



## b Tilt

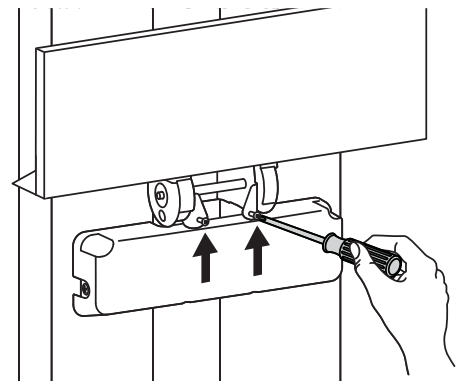


Tighten both screws for less keyboard tilt.



Loosen both screws for more keyboard tilt.

**NOTE:** Adjust both screws equally.



## c You may need to adjust lift tension after equipment has been added or removed.

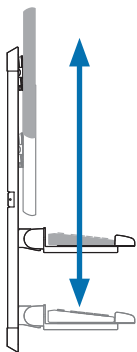
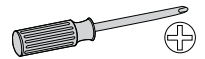
It is important that you adjust this product according to the weight of the mounted equipment as described in the following steps. Any time equipment is added or removed from this product, resulting in a change in the weight of the mounted load, you should repeat these adjustment steps to ensure safe and optimum operation.

Adjustments should move smoothly and easily through the full range of motion and stay where you set it. If adjustments are difficult and do not stay in the desired position, follow the instructions to loosen or tighten the tension to create a smooth, easy adjustment motion. Depending on your product and the adjustment, it may take several turns to notice a difference.

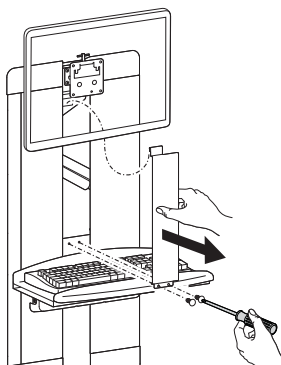
## Lift – Up and down



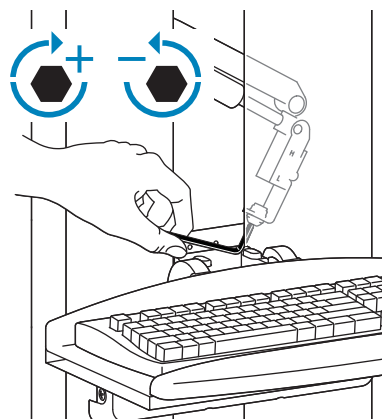
Follow these instructions to tighten or loosen tension.



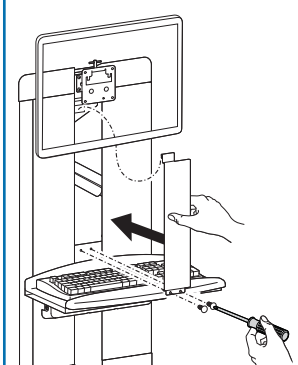
1



2



3





For the latest User Installation Guide please visit: [www.ergotron.com](http://www.ergotron.com)

For Warranty visit: [www.ergotron.com/warranty](http://www.ergotron.com/warranty)

For Service visit: [www.ergotron.com](http://www.ergotron.com)

For local customer care phone numbers visit: <http://contact.ergotron.com>

[www.ergotron.com](http://www.ergotron.com) | USA: 1-800-888-8458 | Europe: +31 (0)33-45 45 600 | China: 400-120-3051 | Japan: [japansupport@ergotron.com](mailto:japansupport@ergotron.com)

© 2011 Ergotron, Inc. All rights reserved.

While Ergotron, Inc. makes every effort to provide accurate and complete information on the installation and use of its products, it will not be held liable for any editorial errors or omissions (including those made in the process of translation from English to another language), or for incidental, special or consequential damages of any nature resulting from furnishing this instruction and performance of equipment in connection with this instruction. Ergotron, Inc. reserves the right to make changes in the product design and/or product documentation without notification to its users. For the most current product information, or to know if this document is available in languages other than those herein, please contact Ergotron. No part of this publication may be reproduced, stored in a retrieval system, or transmitted in any form or by any means, electronic, mechanical, photocopying, recording or otherwise without the prior written consent of Ergotron, Inc., 1181 Trapp Road, Eagan, Minnesota, 55121, USA Patents Pending and Patented U.S. & Foreign. Ergotron is a registered trademark of Ergotron, Inc.