

# Dimensional & Range of Motion Illustrations

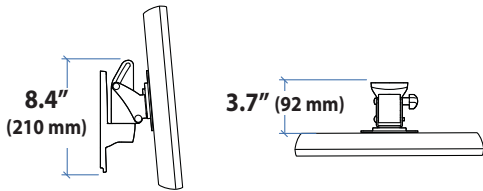
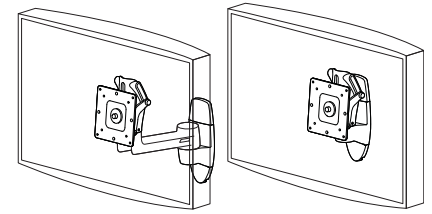
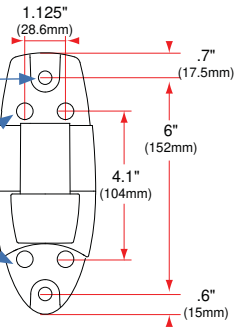
## HD Wall Mount Pivot and Swing Arm

### Dimensions

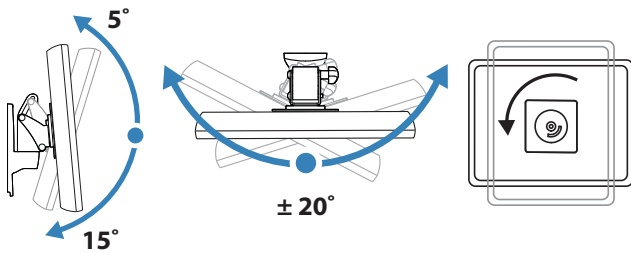
#### Wall Mount Bracket

Stud mounting:  
M8 x 80mm or 5/16" x 3"  
and flat washer 8mm or  
5/16" (2 places)

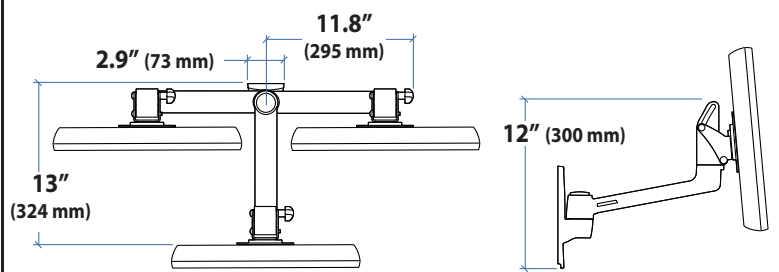
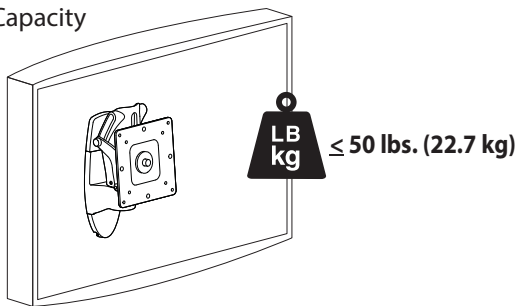
Wall Track mounting:  
Button head cap screw  
#10-24 x 5/8" (4 places)



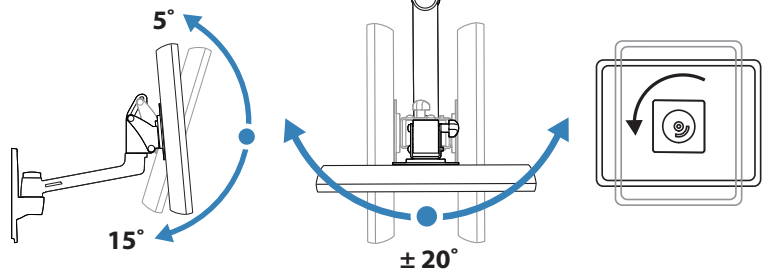
### Range of Motion



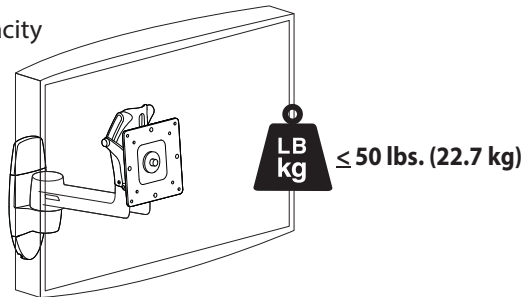
### Weight Capacity



### Range of Motion



### Weight Capacity



© 2014 Ergotron, Inc. rev. 12/17/2018 DIM-066 Content is subject to change without notification

#### Americas Sales and Corporate Headquarters

St. Paul, MN USA  
(800) 888-8458  
+1-651-681-7600  
www.ergotron.com  
sales@ergotron.com

#### EMEA Sales

Amersfoort, The Netherlands  
+31 33 45 45 600  
www.ergotron.com  
info.eu@ergotron.com

#### APAC Sales

Tokyo, Japan  
www.ergotron.com  
japansupport@ergotron.com

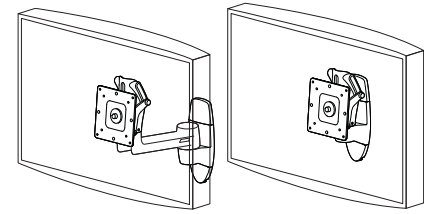
#### Worldwide OEM Sales

www.ergotron.com  
info.oem@ergotron.com

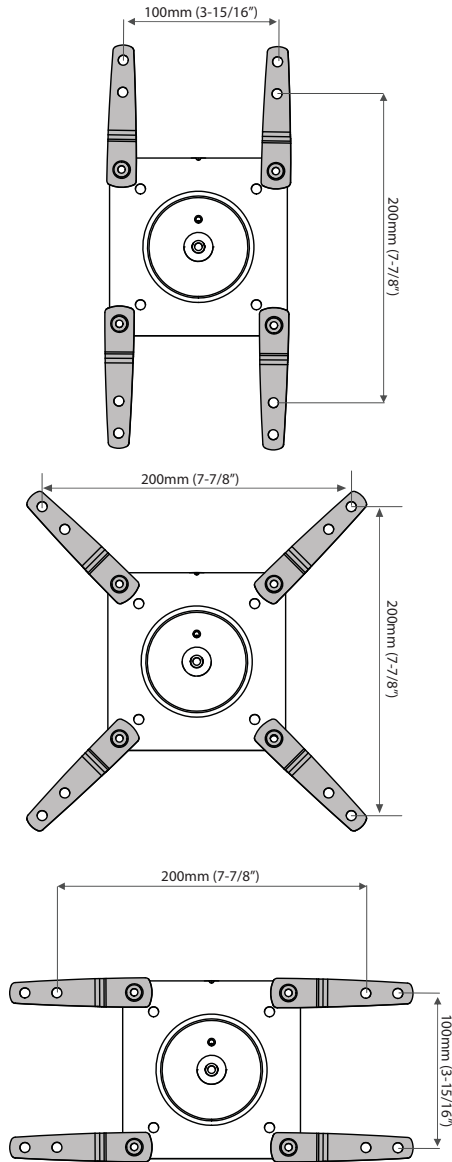
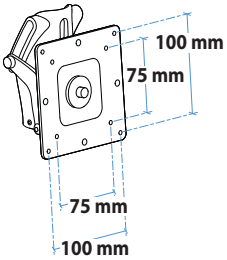
**ergotron®**

# HD Wall Mount Pivot and Swing Arm

## Dimensional & Range of Motion Illustrations



Display interface



© 2014 Ergotron, Inc. rev. 12/17/2018 DIM-066 Content is subject to change without notification

**Americas Sales and Corporate Headquarters**

St. Paul, MN USA  
 (800) 888-8458  
 +1-651-681-7600  
[www.ergotron.com](http://www.ergotron.com)  
[sales@ergotron.com](mailto:sales@ergotron.com)

**EMEA Sales**

Amersfoort, The Netherlands  
 +31 33 45 45 600  
[www.ergotron.com](http://www.ergotron.com)  
[info.eu@ergotron.com](mailto:info.eu@ergotron.com)

**APAC Sales**

Tokyo, Japan  
[www.ergotron.com](http://www.ergotron.com)  
[japansupport@ergotron.com](mailto:japansupport@ergotron.com)

**Worldwide OEM Sales**

[www.ergotron.com](http://www.ergotron.com)  
[info.oem@ergotron.com](mailto:info.oem@ergotron.com)

