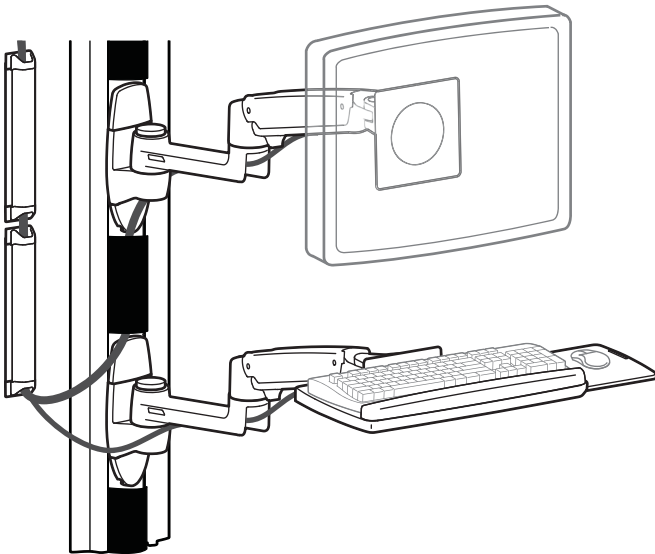
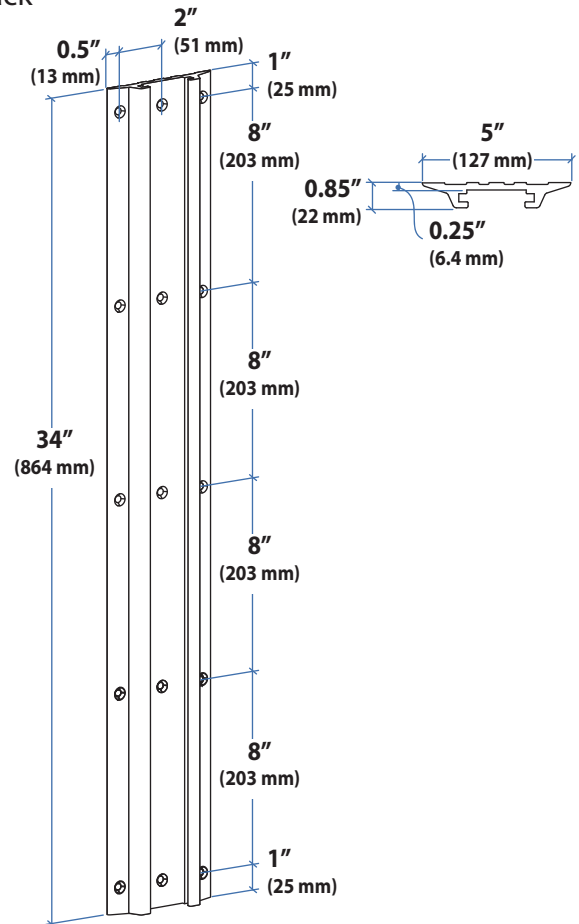


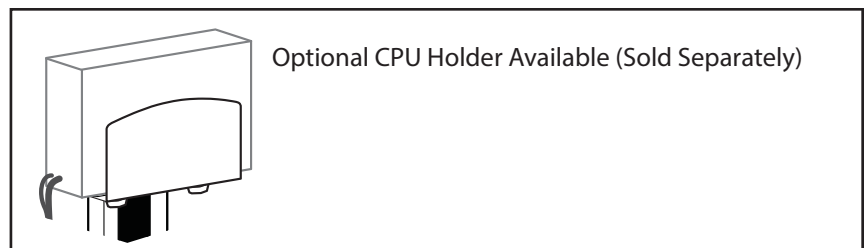
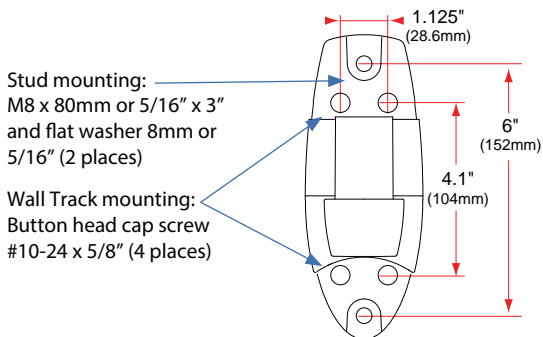
LX Wall Mount System, White



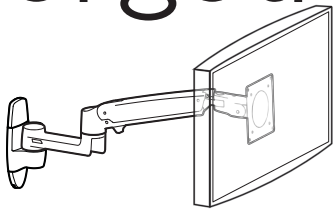
Wall Track



Wall Mount Bracket

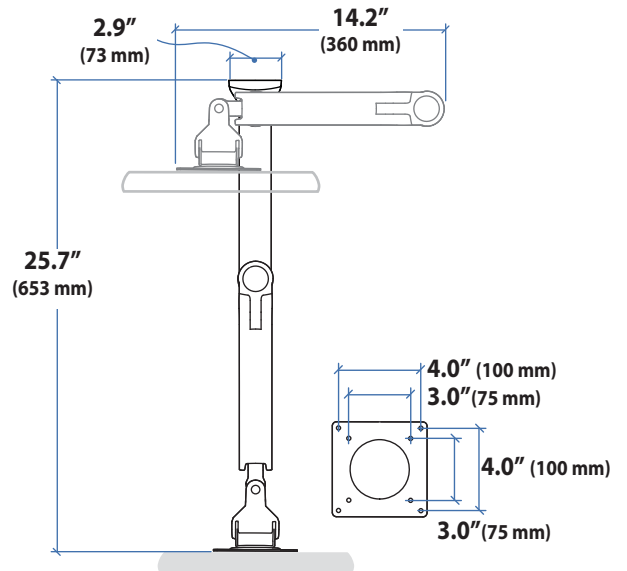
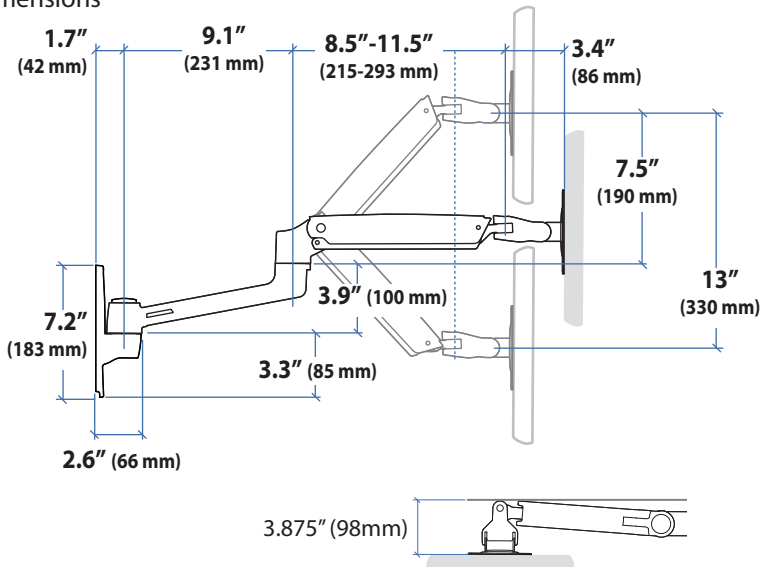


LX Wall Mount System, White

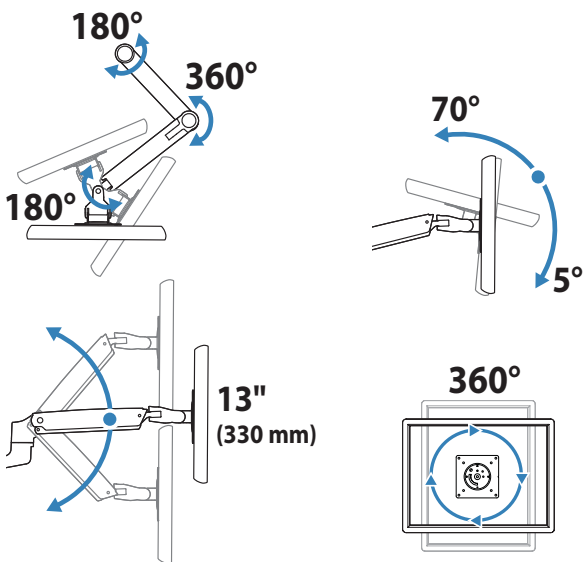


LCD Arm

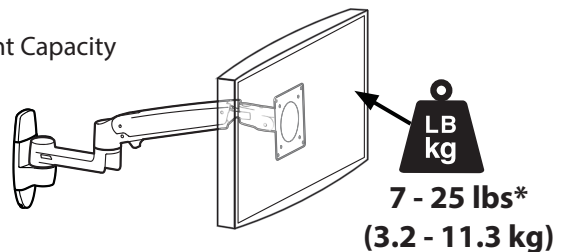
Dimensions



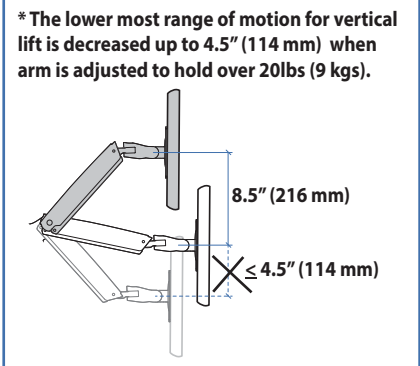
Range of Motion



Weight Capacity



Monitor depth greater than 2.5" (64 mm) may diminish capacity. Call Ergotron for more information.



© 2017 Ergotron, Inc. rev. 12/17/2018 DIM-LXWMSysWT Content is subject to change without notification

Americas Sales and Corporate Headquarters

St. Paul, MN USA
(800) 888-8458
+1-651-681-7600
www.ergotron.com
sales@ergotron.com

EMEA Sales

Amersfoort, The Netherlands
+31 33 45 45 600
www.ergotron.com
info.eu@ergotron.com

APAC Sales

Tokyo, Japan
www.ergotron.com
japansupport@ergotron.com

Worldwide OEM Sales

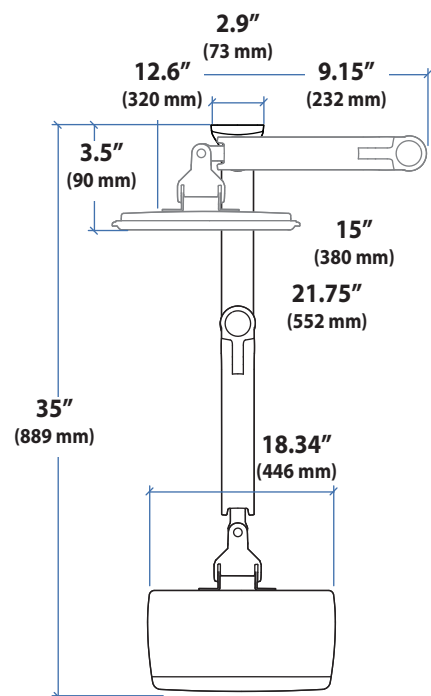
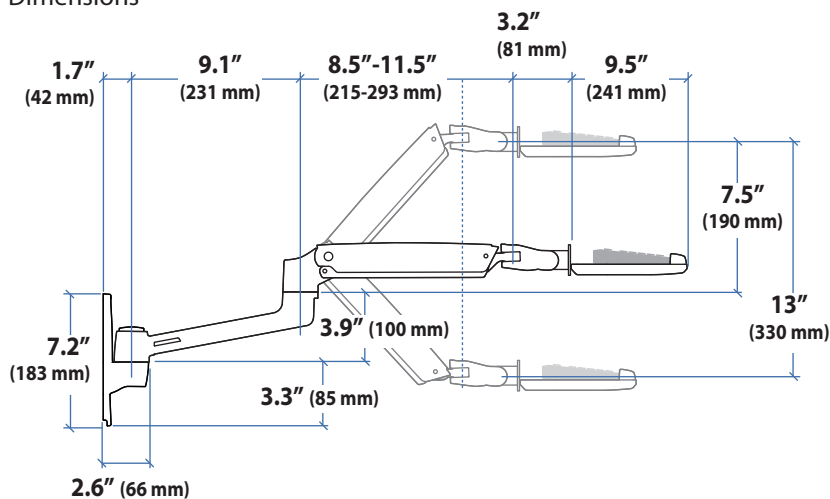
www.ergotron.com
info.oem@ergotron.com



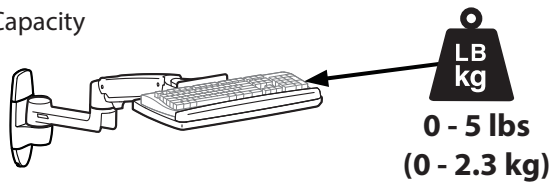
Keyboard Arm

LX Wall Mount System, White

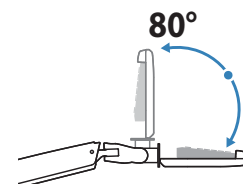
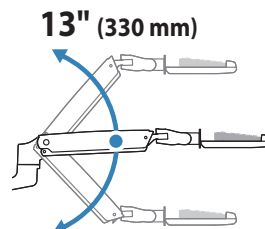
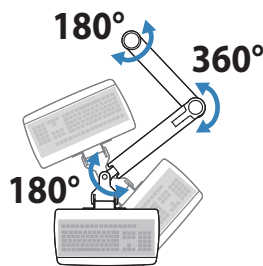
Dimensions



Weight Capacity



Range of Motion



© 2017 Ergotron, Inc. rev. 12/17/2018 DIM-LXWMSysWT Content is subject to change without notification

Americas Sales and Corporate Headquarters

St. Paul, MN USA
(800) 888-8458
+1-651-681-7600
www.ergotron.com
sales@ergotron.com

EMEA Sales

Amersfoort, The Netherlands
+31 33 45 45 600
www.ergotron.com
info.eu@ergotron.com

APAC Sales

Tokyo, Japan
www.ergotron.com
japansupport@ergotron.com

Worldwide OEM Sales

www.ergotron.com
info.oem@ergotron.com