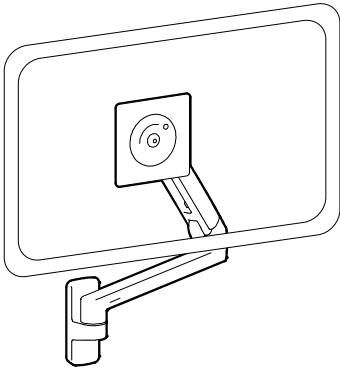
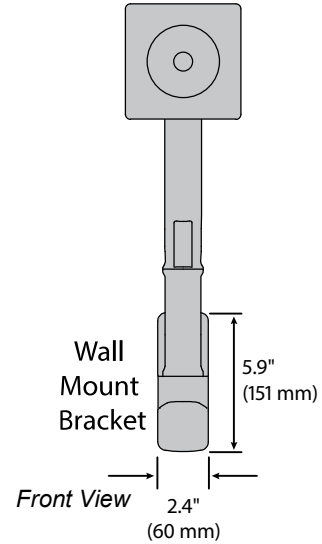
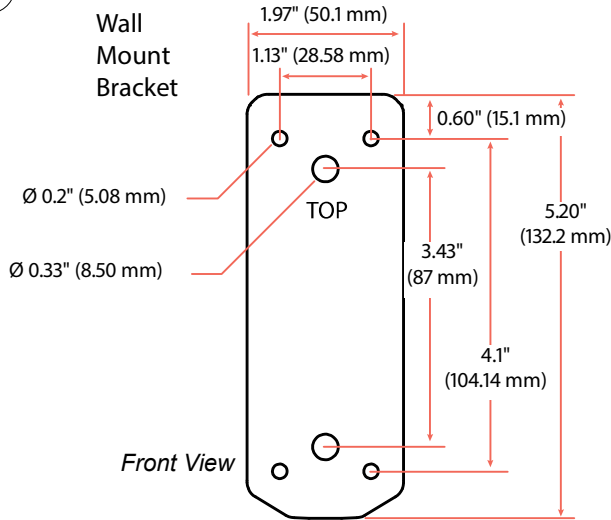


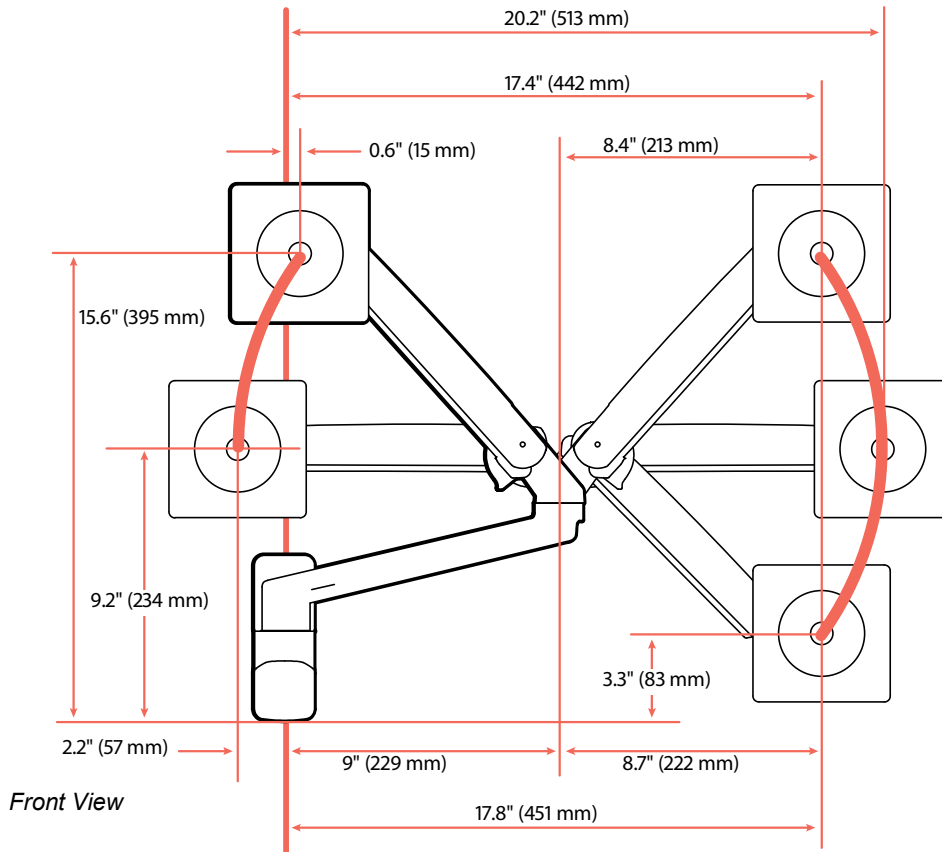
MXV Wall Mount Monitor Arm



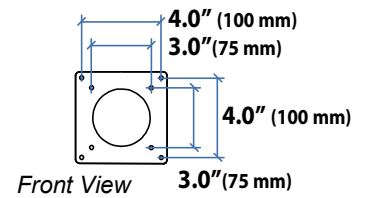
Dimensions



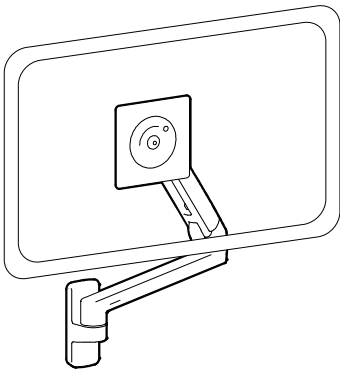
Front view with arm pushed back against the wall.



Monitor Interface Bracket



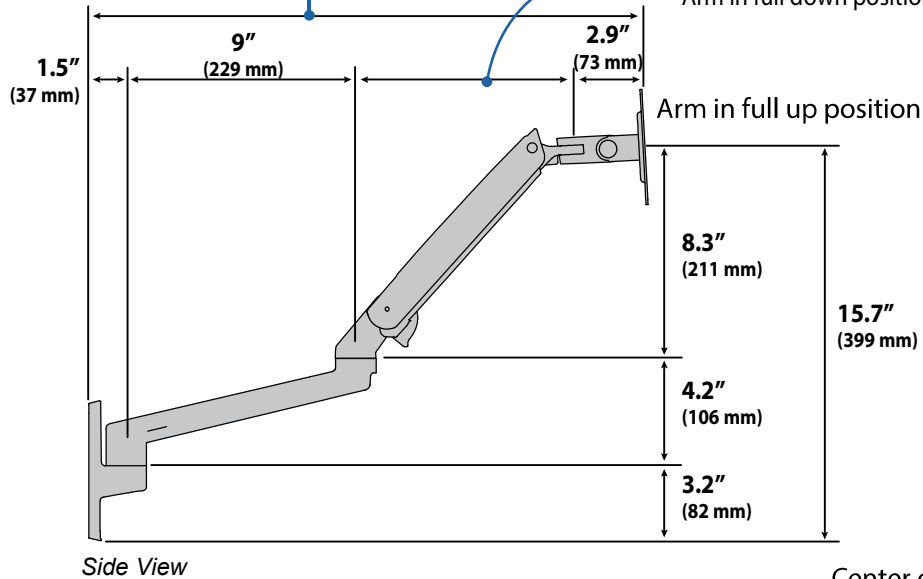
MXV Wall Mount Monitor Arm



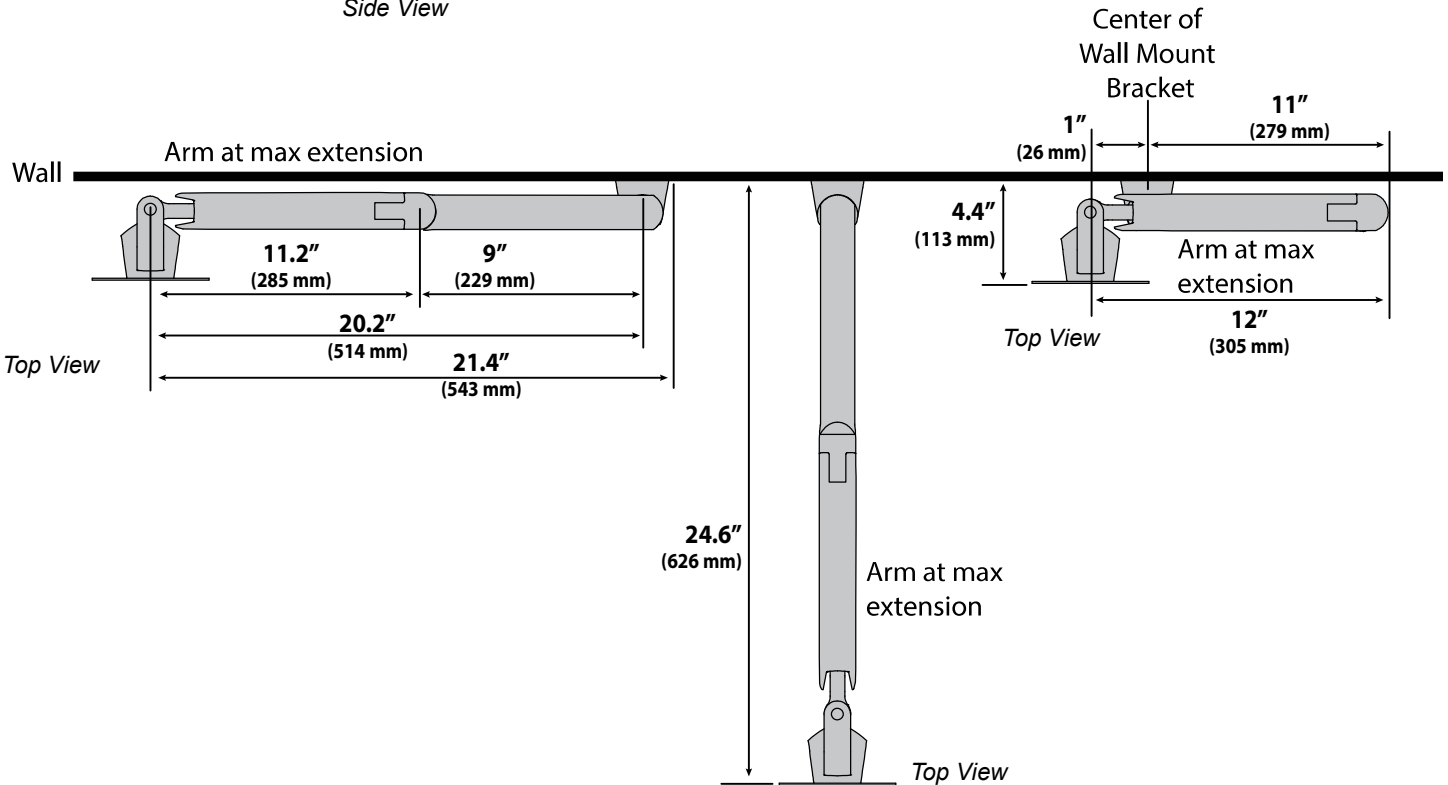
Dimensions

Arm in full up position: **21.7" (552 mm)**
 Arm at max extension: **24.6" (626 mm)**
 Arm in full down position: **22.1" (561 mm)**

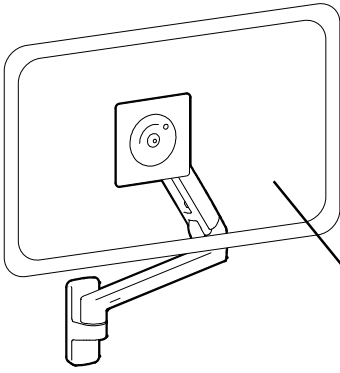
Arm in full up position: **8.4" (214 mm)**
 Arm at max extension: **11.2" (285 mm)**
 Arm in full down position: **8.8" (223 mm)**



Side View



MXV Wall Mount Monitor Arm



Weight Capacity
7 lbs (3.2 kg) - 20 lbs. (9.1 kg)

Monitor depth greater than 2.5" (64 mm) may diminish capacity.
Call Ergotron for more information.

Range of Motion

