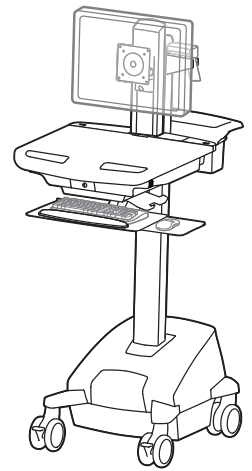
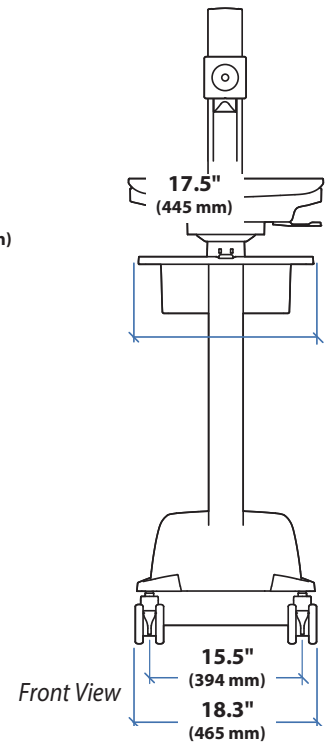
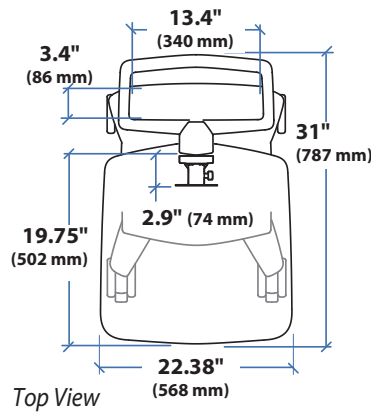
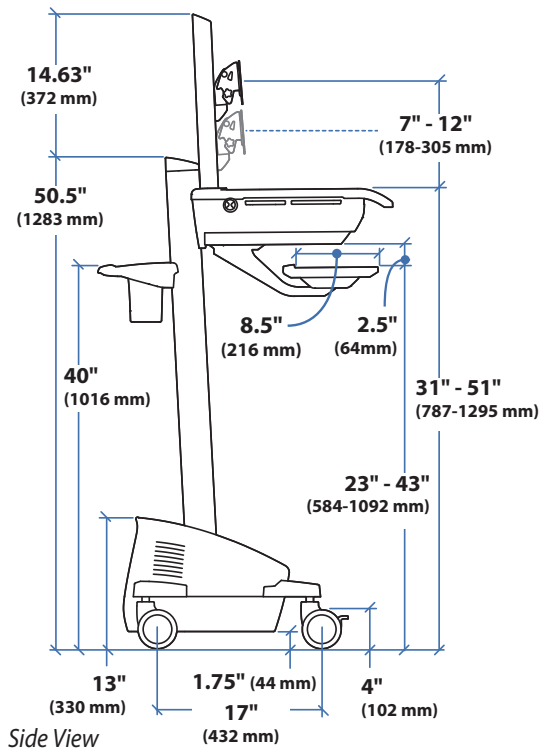




# StyleView® Electric Lift Cart with LCD Pivot and LiFe Power System



## Dimensions



© 2018 Ergotron, Inc. rev. 03/29/2019 DIM-SV42PIVOT-E Content is subject to change without notification

### Americas Sales and Corporate Headquarters

St. Paul, MN USA  
(800) 888-8458  
+1-651-681-7600  
www.ergotron.com  
sales@ergotron.com

### EMEA Sales

Amersfoort, The Netherlands  
+31 33 45 45 600  
www.ergotron.com  
info.eu@ergotron.com

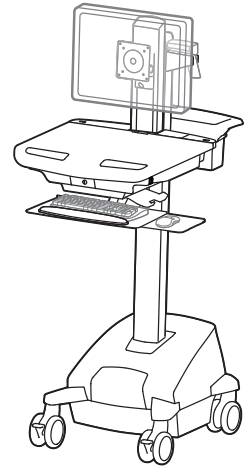
### APAC Sales

Tokyo, Japan  
www.ergotron.com  
japansupport@ergotron.com

### Worldwide OEM Sales

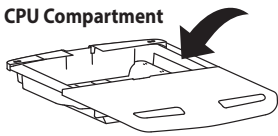
www.ergotron.com  
info.oem@ergotron.com

### StyleView® Electric Lift Cart with LCD Pivot and LiFe Power System

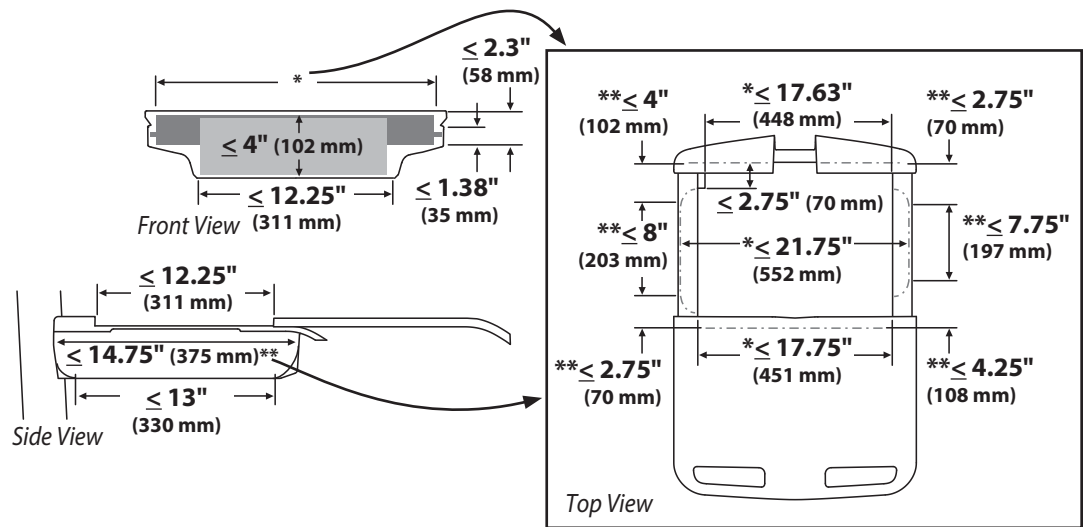


#### Dimensions

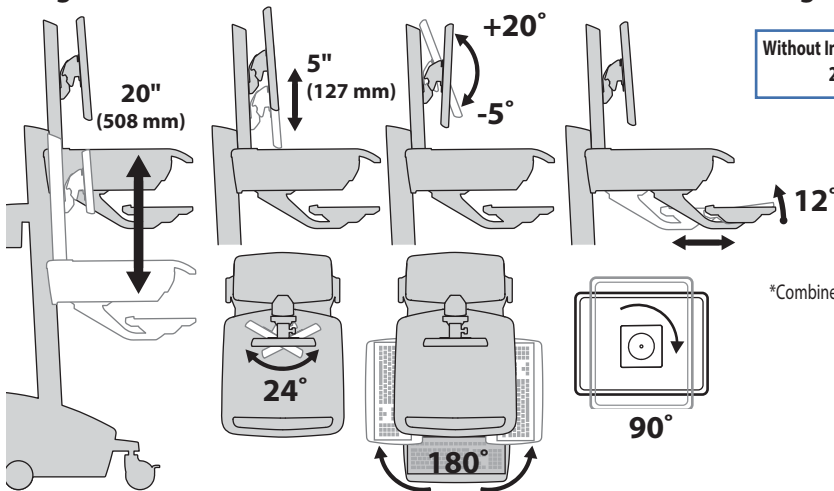
##### CPU Compartment



When figuring dimensions, include mounted accessories, protruding cables and port replicators or docking stations.



#### Range of Motion



#### Weight Capacity

Without Independent LCD Lift: 20 lbs (9 kg)

With Independent LCD Lift: 5-11 lbs (2.3-5 kg)

