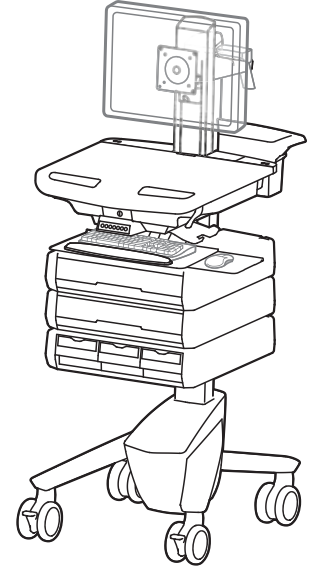
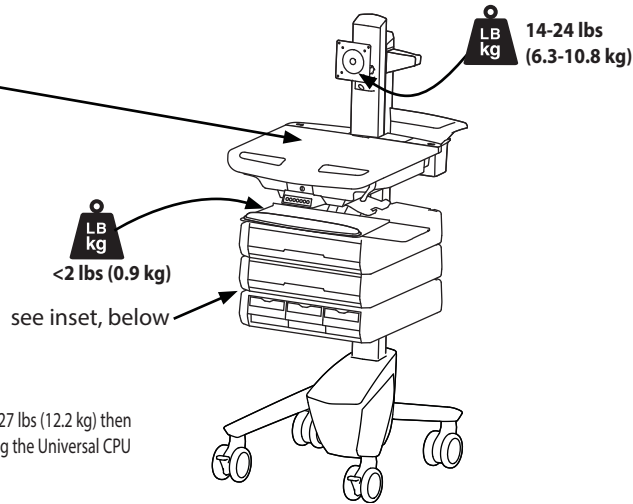


StyleView® SV43 Cart with HD Monitor Mount

Weight Capacity

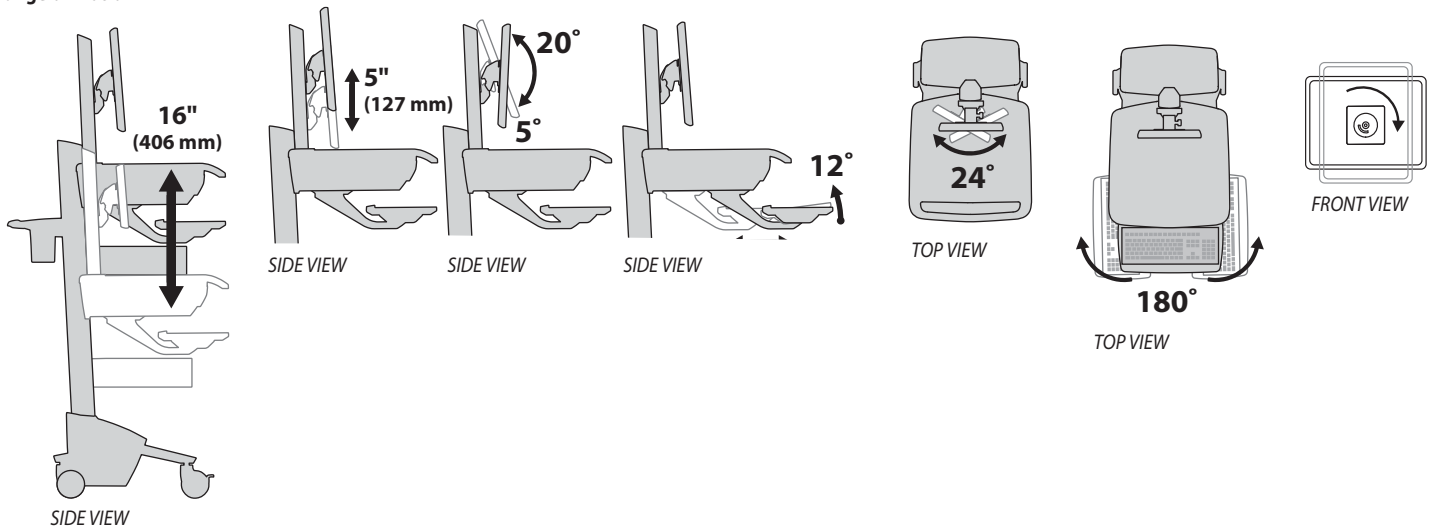
0 lbs (0 kg) Open Worksurface
 <5 lbs (2.3 kg) Closed Worksurface
 <13 lbs (5.9 kg) CPU Compartment



*Combined LCD and CPU Compartment weight:
 <27 lbs (12.2 kg).

If the combined LCD and CPU weight is greater than 27 lbs (12.2 kg) then the CPU must be mounted to the rear of the cart using the Universal CPU Holder accessory (ordered separately).

Range of Motion



© 2017 Ergotron, Inc. rev. 05/16/2017 DIM-SV43HD Content is subject to change without notification

Americas Sales and Corporate Headquarters

St. Paul, MN USA
 (800) 888-8458
 +1-651-681-7600
 www.ergotron.com
 sales@ergotron.com

EMEA Sales

Amersfoort, The Netherlands
 +31 33 45 45 600
 www.ergotron.com
 info.eu@ergotron.com

APAC Sales

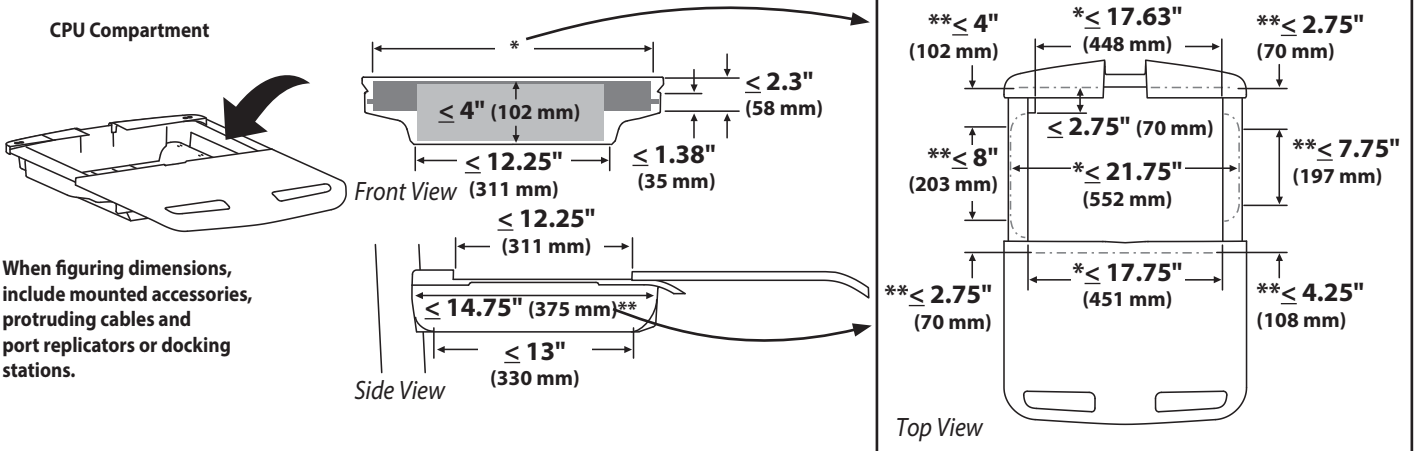
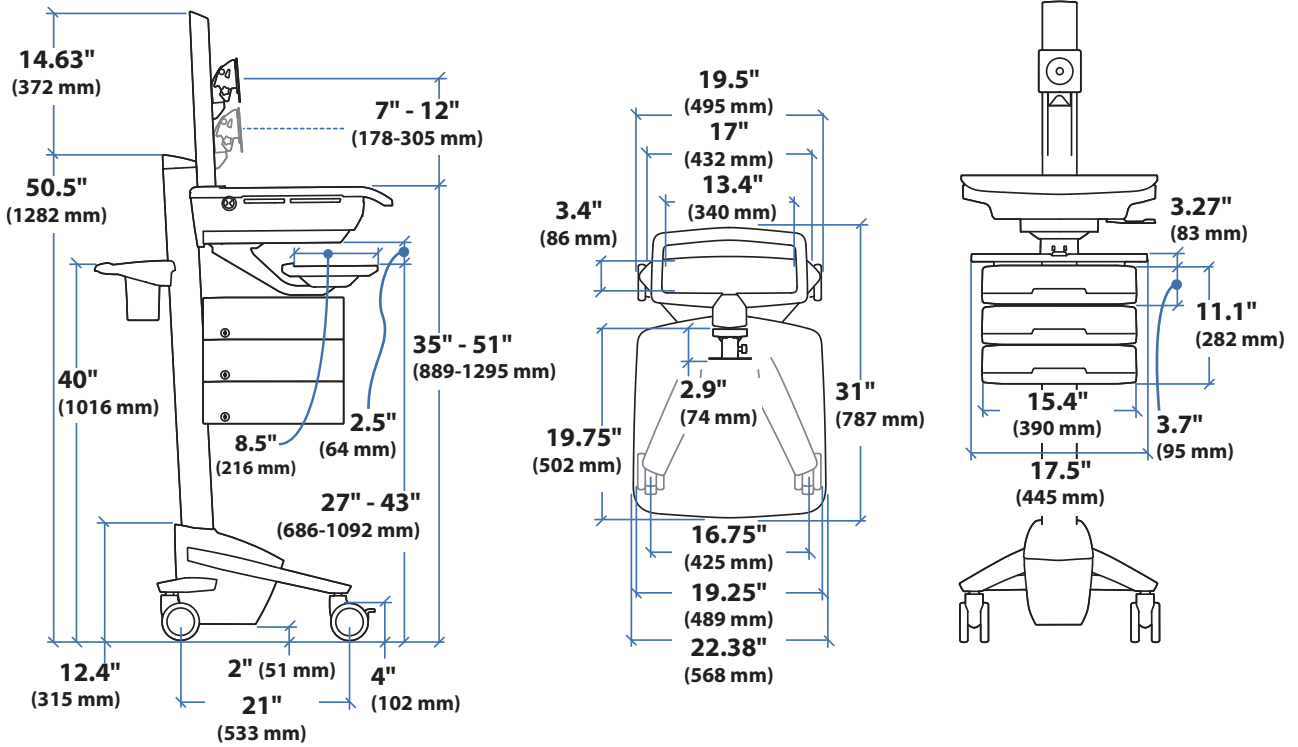
Tokyo, Japan
 www.ergotron.com
 apaccustomerservice@ergotron.com

Worldwide OEM Sales

www.ergotron.com
 info.oem@ergotron.com

StyleView® SV43 Cart with HD Monitor Mount

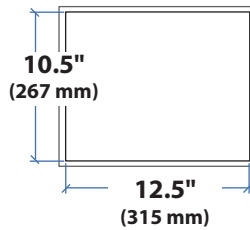
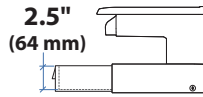
Dimensions



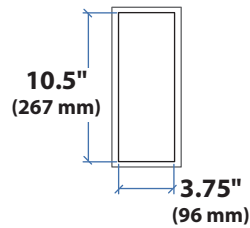
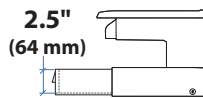
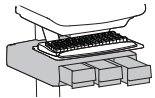
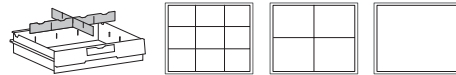
StyleView® SV43 Cart with HD Monitor Mount

Dimensions

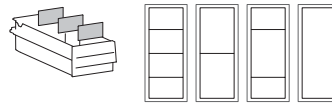
Drawers



LB kg Total weight capacity per drawer.
≤ 2 lbs (1 kg)



LB kg Total weight capacity per drawer.
≤ 0.25 lbs (0.1 kg)



Americas Sales and Corporate Headquarters

St. Paul, MN USA
(800) 888-8458
+1-651-681-7600
www.ergotron.com
sales@ergotron.com

EMEA Sales

Amersfoort, The Netherlands
+31 33 45 45 600
www.ergotron.com
info.eu@ergotron.com

APAC Sales

Tokyo, Japan
www.ergotron.com
apaccustomerservice@ergotron.com

Worldwide OEM Sales

www.ergotron.com
info.oem@ergotron.com